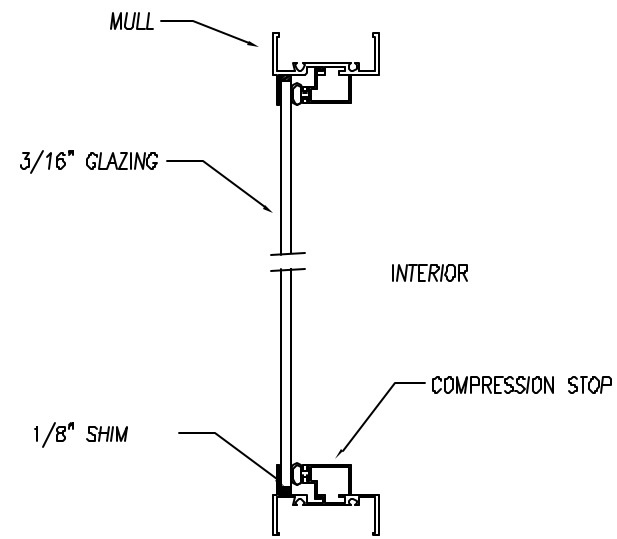
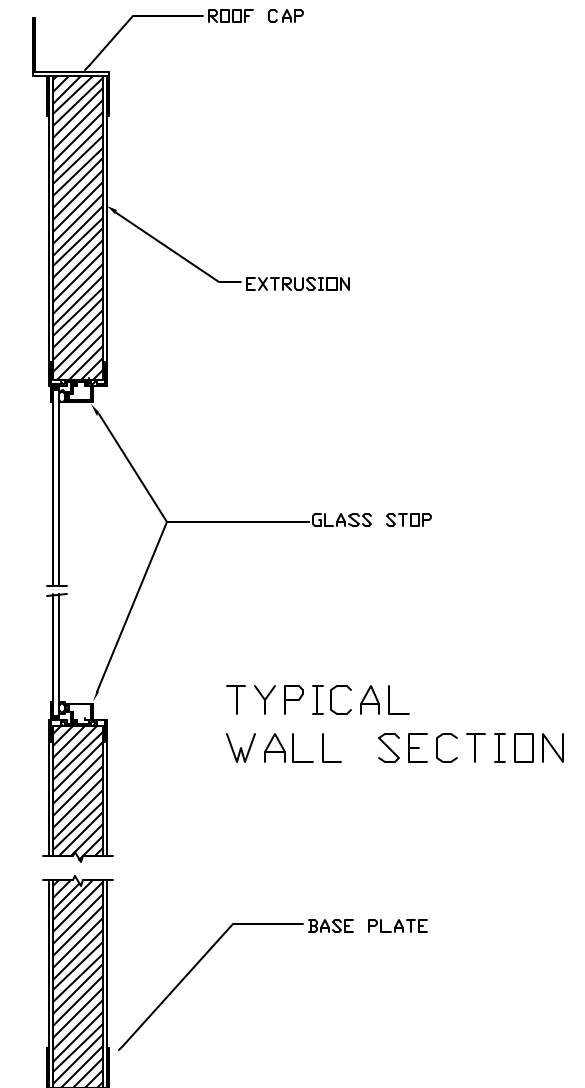
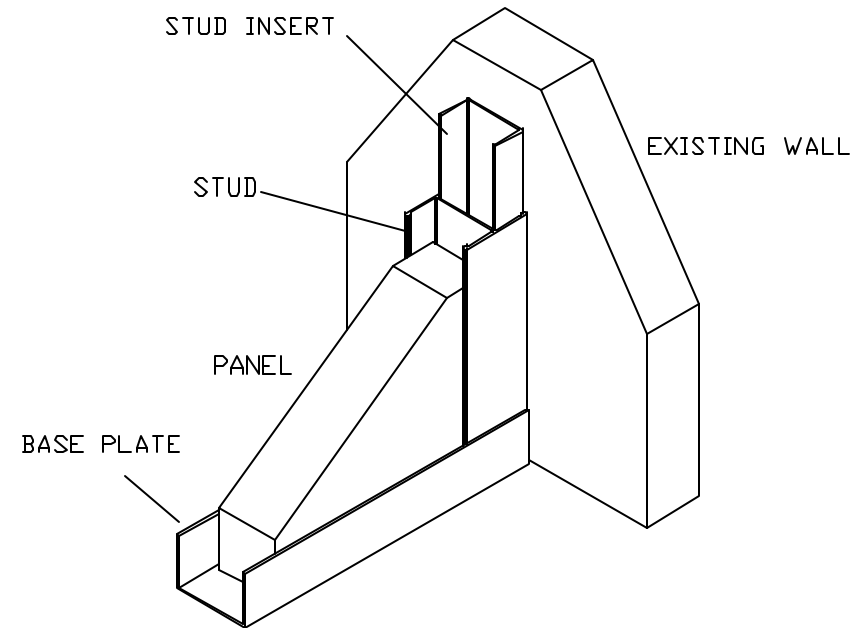
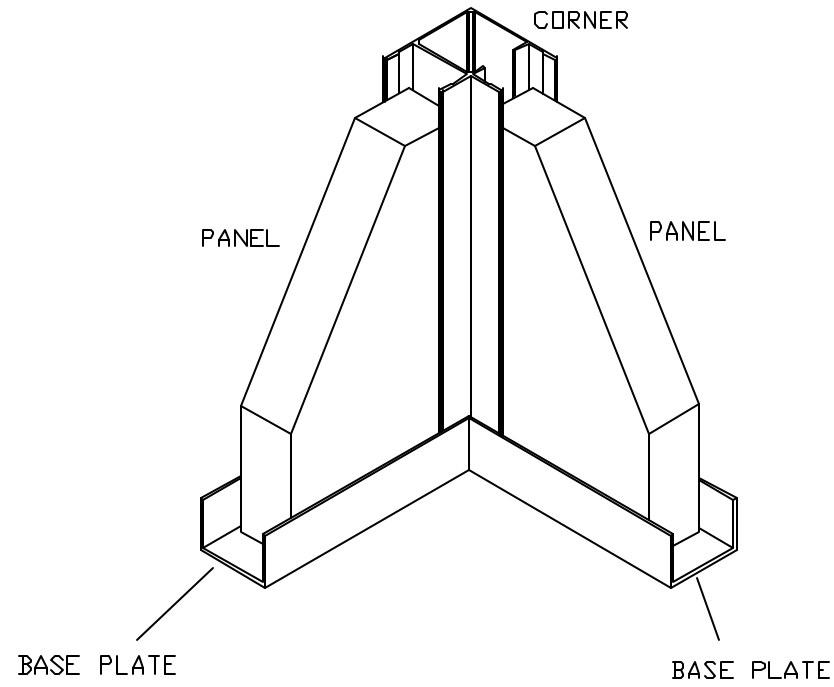
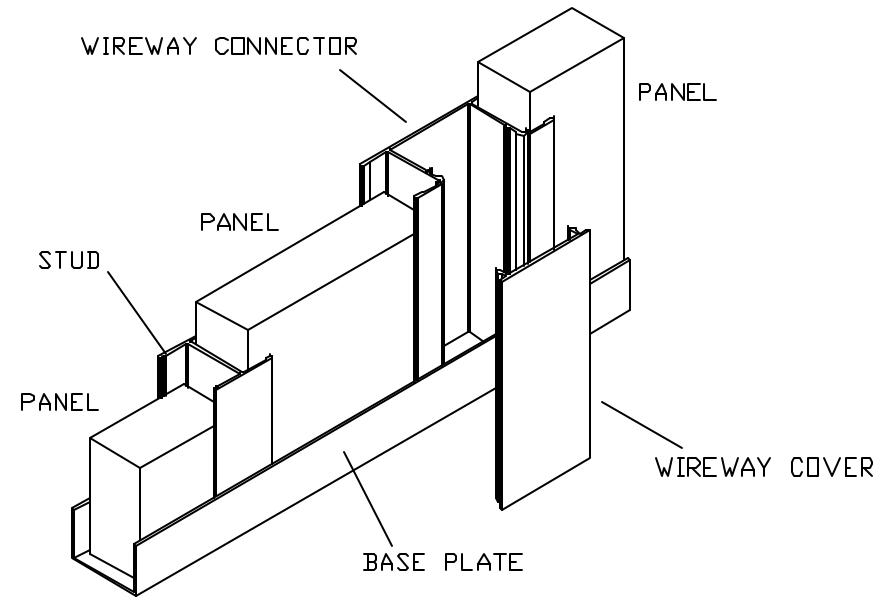


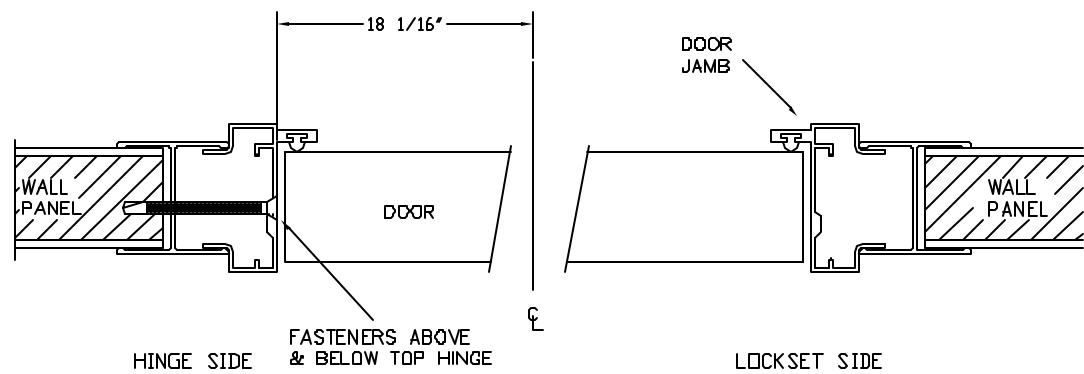
THESE DRAWINGS AND SPECIFICATIONS HAVE BEEN PRODUCED IN ACCORDANCE WITH PORTA-KING'S PROPOSAL AND THE PROJECT DESIGN. THE PROJECT WILL BE MANUFACTURED IN ACCORDANCE TO THIS INFORMATION AS SUBMITTED. THE SECURING OF BUILDING PERMITS AND COMPLIANCE WITH APPROPRIATE BUILDING CODES IS NOT THE RESPONSIBILITY OF PORTA-KING, BUT IS THE RESPONSIBILITY OF THE PURCHASER OF THE BUILDING.

- APPROVED AS SUBMITTED, RELEASE FOR MANUFACTURING
- APPROVED AS NOTED, RELEASE FOR MANUFACTURING
- REVISE AND RESUBMIT

SIGN : _____ DATE : _____



WINDOW DETAIL



3068 DOOR

PORTA-KING BUILDING SYSTEMS 4133 SHORELINE DRIVE EARTH CITY, MISSOURI 63045 1-800-BUILDING 314-291-4200 FAX 314-291-2857		
TITLE	SERIES 175 BUILDING	
DETAILS	JOB NO. _____ DRAWN BY CMP	SHEET 1 OF 1
SCALE	NTS	DATE 07-23-03