

ASSEMBLY DRAWINGS ARE FOR A 16'-0" W X 9'-4" H X 32'-0" L MEZZANINE STRUCTURE

DEALER:

JOB NAME:

LOCATION:

APPROVAL SIGNATURE REQUIRED
(APPROVAL IS FOR ALL PAGES IN DRAWING SET)

APPROVED AS SHOWN
 APPROVED AS NOTED
 REVISE AND RESUBMIT PRIOR TO FABRICATION

AUTHORIZED SIGNATURE: _____
 DATE: _____

IMPORTANT MANUFACTURER'S DISCLAIMERS

- 1) THE MANUFACTURER HAS DESIGNED AND ENGINEERED THIS SYSTEM SPECIFICALLY, AS STATED IN THE MEZZANINE NOTES SECTION. VARIATIONS AND/OR MODIFICATIONS TO THE SYSTEM OR COMPONENTS WILL VOID AND NULLIFY ANY AND ALL WARRANTIES, BOTH WRITTEN AND/OR IMPLIED, AND LIABILITY FOR DEFECTS IN THIS SYSTEM AND ITS COMPONENTS. MANUFACTURER FURTHER ACCEPTS NO RESPONSIBILITY AND/OR LIABILITY FOR OBTAINING OR MAINTAINING AN LOCAL, REGIONAL OR NATIONAL BUILDING PERMITS, INSPECTIONS OR DOCUMENTS THAT MAY BE REQUIRED.
- 2) THIS MEZZANINE HAS (OR WILL BE) ENGINEERED STRUCTURALLY ONLY. IT IS THE RESPONSIBILITY OF THE BUYER TO VERIFY THAT WHEN THIS MEZZANINE IS INSTALLED, THE BUILDING THAT HOUSES IT COMPLIES WITH LOCAL SAFETY CODES WHICH ADDRESS INGRESS, EGRESS, FIRE RATINGS, SPRINKLERS, ETC.

MEZZANINE NOTES


- 1) STRUCTURE:
 - A) MEZZANINE LOCATION:
 - B) THE STRUCTURE OF THIS MEZZANINE HAS BEEN DESIGNED IN CONFORMANCE WITH THE APPLICABLE BUILDING CODE: 2003 INTERNATIONAL BUILDING CODE (2003 IBC) AS OF THE DATE OF THIS DRAWING USING THE FOLLOWING LOADS:
 - a) LIVE LOAD = 125 PSF W/ DEFLECTION LESS THAN L/360
 - b) DEAD LOAD = 15 PSF
 - c) POINT LOADING: MEZZANINE FRAMING HAS NOT BEEN DESIGNED TO SUPPORT HEAVY RACK POST/POINT LOADS. POINT LOADS UP TO 450 LBS. MAY BE SUPPORTED WITHOUT FURTHER INVESTIGATION, IF THE POSTS ARE ORIENTED SUCH THAT THE SPACING OF THE POSTS ARE PERPENDICULAR TO THE DECK SPAN. CONTACT PK STRUCTURES IF ANTICIPATED LOADS ARE GREATER THEN 450 LBS. OR IF QUESTIONS ARISE REGARDING POST LAYOUT.
 - d) MAXIMUM WHEEL LOADS = 300 LBS. (RANDOM USAGE)
 - e) SEISMIC: DESIGN CATEGORY B
 - C) THE IBC IS A COMBINED EFFORT OF THE THREE MODEL CODE GROUPS. REPRESENTATIVES OF BOCA, ICBO AND SBCCI DRAFTED IBC. ICBO PUBLISHES THE UNIFORM BUILDING CODE (UBC) AND SBCCI PUBLISHES THE STANDARD BUILDING CODE. THE IBC IS INTENDED TO BE A COMPREHENSIVE SET OF REGULATIONS FOR BUILDING SYSTEMS CONSISTENT WITH AND INCLUSIVE OF THE LATEST EXISTING MODEL BUILDING CODES.
- 2) FOUNDATION RESPONSIBILITY:
 - A) FOUNDATIONS MAY BE EXISTING CONCRETE FLOOR SLAB OR ISOLATED CONCRETE FOOTINGS. THE STRUCTURAL CAPACITY OF THE FOUNDATION IS TO BE DETERMINED BY OTHERS USING SOUND ENGINEERING PRACTICES. THE EXISTING STRENGTH PARAMETERS OF CONCRETE, REINFORCING STEEL, AND SOIL BEARING CAPACITY SHOULD BE ANALYZED IN THE REVIEW.
 - B) MAXIMUM PERIMETER COLUMN LOAD = 17,920 LBS. (UNDER 12" X 12" BASE PLATES)
 - C) NON-SHRINK GROUT IS RECOMMENDED WHEN THE MEZZANINE FLOOR IS NOT LEVEL WITH THE EXISTING SLAB ON GRADE. GROUT & GROUTING ARE THE RESPONSIBILITY OF OTHERS.
- 3) STRUCTURAL MATERIAL SPECIFICATIONS:
 - A) FLOORING: 3/4" TONGUE & GROOVE OSB (ORIENTED STRAND BOARD) APA RATED STURD-I-FLOOR, EXPOSURE I PANEL. PANEL SIZE: 23/32" X 41 1/2" X 96", T&G ON LONG SIDES.
 - B) METAL DECK: 1 1/2" - 20 GAUGE TYPE B ROOF DECK
 - C) WIDE FLANGE STEEL BEAM SHAPES: F_y = 50 KSI: ASTM A512-50 OR A992-50
 - D) TUBE COLUMNS: F_y = 46 KSI: ASTM A500 GRADE B
 - E) OTHER STRUCTURAL STEEL SHAPES & BASE PLATES: F_y = 36 KSI: ASTM A36
 - F) STRUCTURAL BOLTS: A325
 - G) ANCHOR BOLTS: 1/2" X 3 3/4" CARBON STEEL HEX HEAD POWER-BOLTS BY POWER RAWL
- 4) BOLT INSTALLATION:
 - A) BOLTS FOR STRUCTURAL CONNECTIONS SHALL BE 5/8" DIAMETER A325 IN BEARING-TYPE CONNECTIONS, TIGHTENED UNTIL SNUG, UNLESS NOTED OTHERWISE. SNUG TIGHT IS THE TIGHTNESS THAT EXISTS WHEN ALL PLIES IN A JOINT ARE IN FIRM CONTACT AND MAY BE ACHIEVED BY A FEW IMPACTS OF AN IMPACT WRENCH OR THE FULL EFFORT OF A PERSON USING AN ORDINARY SPUD WRENCH.
- 5) STAIR, LANDING & GUARDRAIL DESIGN:
 - A) THE STAIRS, LANDINGS, 2-RAIL GUARDRAILS AND 2-RAIL STAIR RAILS INCLUDED WITH THIS MODULAR MEZZANINE HAVE BEEN CONFIGURED IN CONFORMANCE WITH OSHA. THEY HAVE ALSO BEEN DESIGNED TO COMPLY WITH THE 2000 IBC REQUIREMENTS EXCEPT THAT THE 2-RAIL STAIR RAIL WILL ALSO SERVE AS THE GUARDRAIL AS PERMITTED BY OSHA, BOCA AND THE STANDARD BUILDING CODE.
 - B) IBC CODE COMPLIANCE OF THIS SINGLE MEANS OF EGRESS DESIGN ASSUMES ANY IBC OCCUPANCY TYPE EXCEPT H (HIGH HAZARD), I (INSTITUTIONAL) AND R (RESIDENTIAL) AND MAXIMUM OCCUPANT LOAD ON THE MEZZANINE FLOOR OF 30 PEOPLE.
 - C) STAIRWAY WIDTH = 36"
 STAIR TREAD DEPTH = 10.9650"
 STAIR RISER HEIGHT = 7.0"
 2 RAIL STAIR RAIL HEIGHT = 36"
 STAIR TREAD MATERIAL = CHECKER PLATE
 2 RAIL GUARDRAIL HEIGHT = 42"
- 6) COLORS:
 - A) COLUMNS, BEAMS, STAIRS, LANDINGS, AND LANDING COLUMNS: MANUFACTURER'S STANDARD GRAY
 - B) GUARDRAILS, GATES AND STAIR RAILS: MANUFACTURER'S STANDARD GRAY



REVISION	REVISION	REVISION	REVISION	REVISION
COVER SHEET			<p>PLAN NORTH FOR REFERENCE ONLY</p>	
PAGE NAME:			SHEET 1 OF 9	
DEALER:	JOB NAME:	LOCATION:	PROPRIETARY INFORMATION THIS DRAWING & THE DESIGN IT COVERS ARE THE EXCLUSIVE PROPERTY OF PK STRUCTURES. THEY ARE PROVIDED ONLY ON THE USER'S EXPRESS AGREEMENT THAT THEY WILL NOT BE REPRODUCED, COPIED, LOANED, EXHIBITED, CHANGED OR OTHERWISE USED IN ANY MANNER WITHOUT THE WRITTEN CONSENT OF PK STRUCTURES. THIS DRAWING IS THE PROPERTY OF PK STRUCTURES. IT MAKES NO REPRESENTATION REGARDING DRAWING SCALE & ACCURACY.	
DRAWN BY:	DATE:	REVISED DATE:	SCALE:	ORDER NUMBER:
MO	12-23-04		3/16" = 1'-0"	PK03315-5100

MATERIAL LIST				
QTY.	ITEM NO.	DESCRIPTION	LENGTH	COLOR
4	C1	COLUMN - 5"x5"x3/16" -	9'-1 3/4"	MFG.. STD. GRAY
2	C2	COLUMN - 5"x5"x3/16" -	9'-1 3/4"	MFG.. STD. GRAY
4	B1	BEAM - W12x14 -	15'-3"	MFG.. STD. GRAY
1	G1	GIRDER W/PURLIN CONN. - W12x14 -	14'-8"	MFG.. STD. GRAY
1	G2	GIRDER W/PURLIN CONN. - W12x14 -	14'-8"	MFG.. STD. GRAY
1	G3	GIRDER W/PURLIN CONN. - W14x22 -	14'-8"	MFG.. STD. GRAY
6	P1	PURLIN - W10x12 -	15'-2 1/4"	MFG.. STD. GRAY
1	L1	LANDING 4'x4'		MFG.. STD. GRAY
1	L2	LANDING TO MEZZ FILLER ANGLE		MFG.. STD. GRAY
2	L3	MEZZANINE TIE ANGLE		MFG.. STD. GRAY
4	LC1	LANDING COLUMN -	12'-10"	MFG.. STD. GRAY
1	GS1	GUARDRAIL SECTION -	15'-8"	MFG.. STD. GRAY
2	GS2	GUARDRAIL SECTION -	12'-7"	MFG.. STD. GRAY
1	GS3	GUARDRAIL SECTION -	11'-8"	MFG.. STD. GRAY
2	LGS1	LANDING GUARDRAIL SECTION -	3'-4 13/16"	MFG.. STD. GRAY
2	GCA1	GUARDRAIL CORNER ANGLE -	3'-5 7/8"	MFG.. STD. GRAY
3	GB1	GUARDRAIL BRACE -	4'-8 5/16"	MFG.. STD. GRAY
1	GAB1	GUARDRAIL ANGLED BRACE -	2'-0 11/16"	MFG.. STD. GRAY
1	LG1	LIFT-OUT GATE -	6'-3"	MFG.. STD. GRAY
1	LG2	LIFT-OUT GATE POCKET (LEFT)		MFG.. STD. GRAY
1	LG3	LIFT-OUT GATE POCKET (RIGHT)		MFG.. STD. GRAY
1	S1	STAIR -	16'-7 15/16"	MFG.. STD. GRAY
1	SR1	STAIR RAIL (RIGHT) -	17'-7"	MFG.. STD. GRAY
1	SR2	STAIR RAIL (LEFT) -	17'-7"	MFG.. STD. GRAY
22	D1	ROOF DECK 20 GA. X 1 1/2" -	8'-2"	GRAY/WHITE
20	D2	OSB STURDI FLOOR 3/4" T&G, 48" x 96"		-----
40		RAWL BOLT 1/2" x 3.3/4"		ZINC PLATED
80		BOLT 5/8" X 1 3/4" A325		ZINC PLATED
5		BOLT 5/8" X 2 1/2" A325		ZINC PLATED
85		NUT 5/8" A325		ZINC PLATED
85		WASHERS 5/8"		ZINC PLATED
26		LOAD INDICATING WASHER 5/8" A325		-----
18		BOLT 1/2" x 1 1/2" A325		BLACK
18		NUT 1/2" A325		BLACK
18		WASHER 1/2"		BLACK
15		BOLT 1/2" x 2 1/2" GRADE 5		ZINC PLATED
26		BOLT 1/2" x 1" GRADE 5		ZINC PLATED
41		NUT 1/2" GRADE 5		ZINC PLATED
41		WASHERS 1/2"		ZINC PLATED
124		LAG SCREW 3/8" x 2 1/2"		ZINC PLATED
500		TEK SCREW, TEK 5 x 1 1/4"		GALVANIZED
1		PAINT TOUCH-UP KIT		MFG.. STD. GRAY
2		FLOOR LOADING LABELS 125 PSF		
8		BLOCKING 1 1/2" x 2 1/2" x 10'-0" LG.		MFG.. STD. GRAY
8		GRAY EDGE FLASHING x 10' LONG		MFG.. STD. GRAY
53		1" LONG NAILS		GALVANIZED
700		TEK SCREW 8-18 x 1 15/16", PFH, #3		BLACK
53		TEK SCREW S-WW 14-20 x 2 3/4" PFH #4 W/WINGS HILT!		ZINC PLATED
5		DRYWALL SCREW #6 X 1 5/8"		ZINC

HARDWARE LOCATION AND USE	
(MEZZ COL., LANDING COL., AND STAIRS)	
(BEAM WEB TO BEAM ANGLE CLIP, BEAM WEB TO COL. TEE, AND BEAM BOT. FLNG. TO - 5/8" THICK COL. SEATS)	
(BEAM BOT. FLNG. TO 3/4" THICK COL. SEATS)	
(BOLT, 5/8" X 1 3/4" AND BOLT 5/8" X 2 1/2")	
(BOLT, 5/8" X 1 3/4" AND BOLT 5/8" X 2 1/2")	
(BOLT, 5/8" X 1 3/4" FOR PURLIN CONN. ONLY - SEE DETAILS)	
(LANDING COL. TO LANDING, STAIR TO LANDING, LANDING TO MEZZ FILLER ANGLE)	
(BOLT 1/2" X 1 1/2")	
(BOLT 1/2" X 1 1/2")	
(STAIR RAILS TO STAIR STRINGER & GUARDRAIL ANGLED BRACES TO GUARDRAIL)	
(GUARDRAIL TO GUARDRAIL, GUARDRAIL TO CORNER ANGLES, GUARDRAIL TO GATES)	
(BOLT 1/2" X 1" AND BOLT 1/2" X 2 1/2")	
(BOLT 1/2" X 1" AND BOLT 1/2" X 2 1/2")	
(GUARDRAIL KICK PLATE TO BLOCKING)	
(GUARDRAILS TO LANDING COL., GUARDRAILS TO GUARDRAIL BRACES, - MEZZ TIE ANGLES FOR - LANDINGS TO BEAM, STAIR RAILS TO LANDING COL. - OR GUARDRAILS, AND ROOF DECK - TO BEAMS)	
(TOUCHING UP SCRATCHES AND NICKS)	
(CAPACITY LABELS TO BE LOCATED NEAR STAIRS AND GATE OPENINGS)	
(AROUND EDGE OF MEZZANINE WHERE GUARDRAIL WILL BE ATTACHED)	
(AROUND PERIMETER OF MEZZANINE AND ANY OPEN AREAS.)	
(ATTACHMENT OF FLASHING TO OSB DECK)	
(OSB/PLYWOOD TO ROOF DECK)	
(BLOCKING TO BEAM FLANGE)	
(GUARDRAIL ANGLED BRACES TO OSB DECK)	



A PORTA-KING/KELLY KLOSURE ENTERPRISE
EARTH CITY, MISSOURI 63045 (PH: 1-800-284-5246)

REVISION


REVISION

REVISION

REVISION

REVISION

MATERIAL LIST SHEET



PLAN NORTH
FOR REFERENCE ONLY

SHEET 2 OF 9

DRAWN BY: MO

DATE: 12-23-04

REVISION DATE:

DEALER:

JOB NAME:

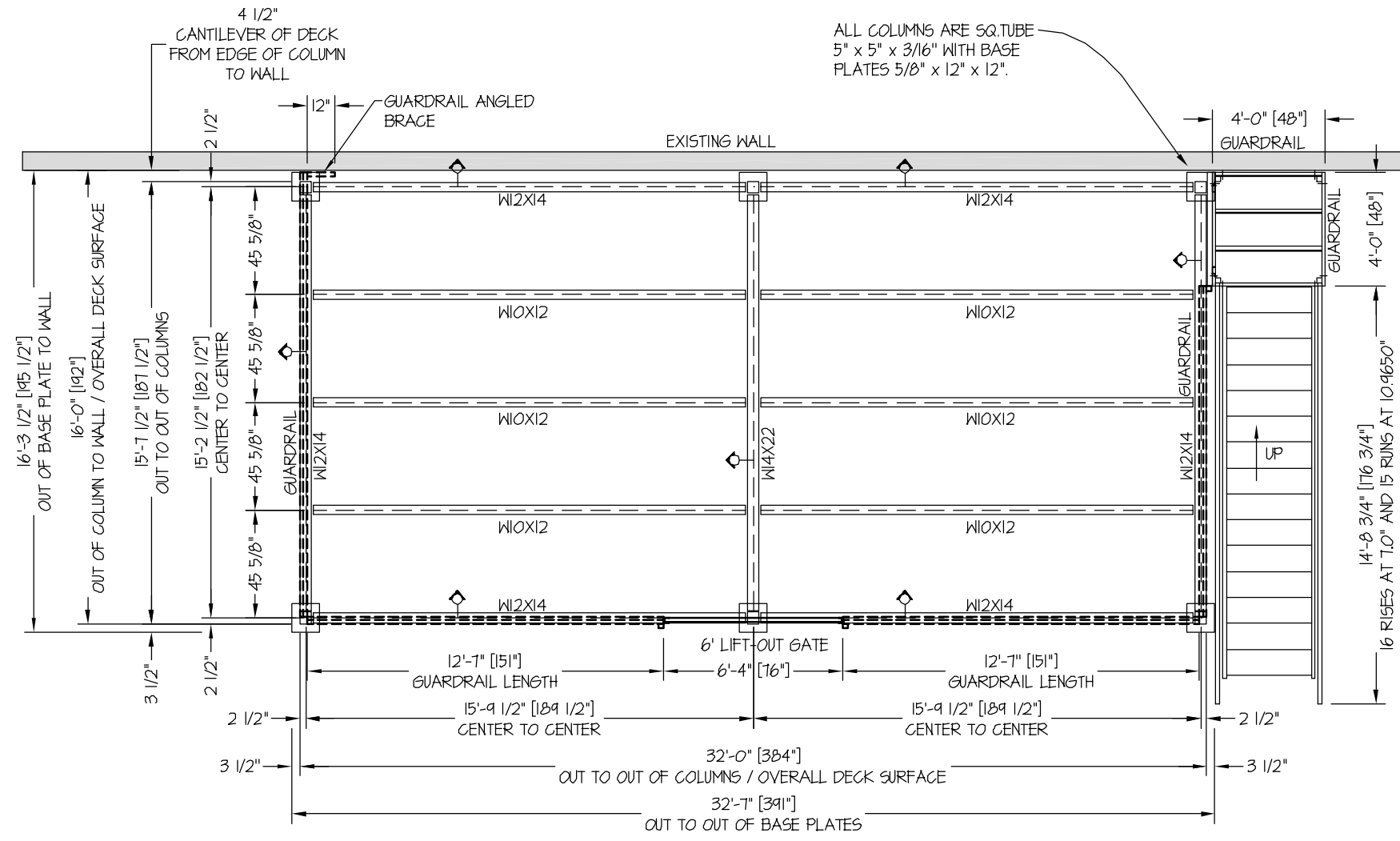
LOCATION:

SCALE: 3/16" = 1'-0"

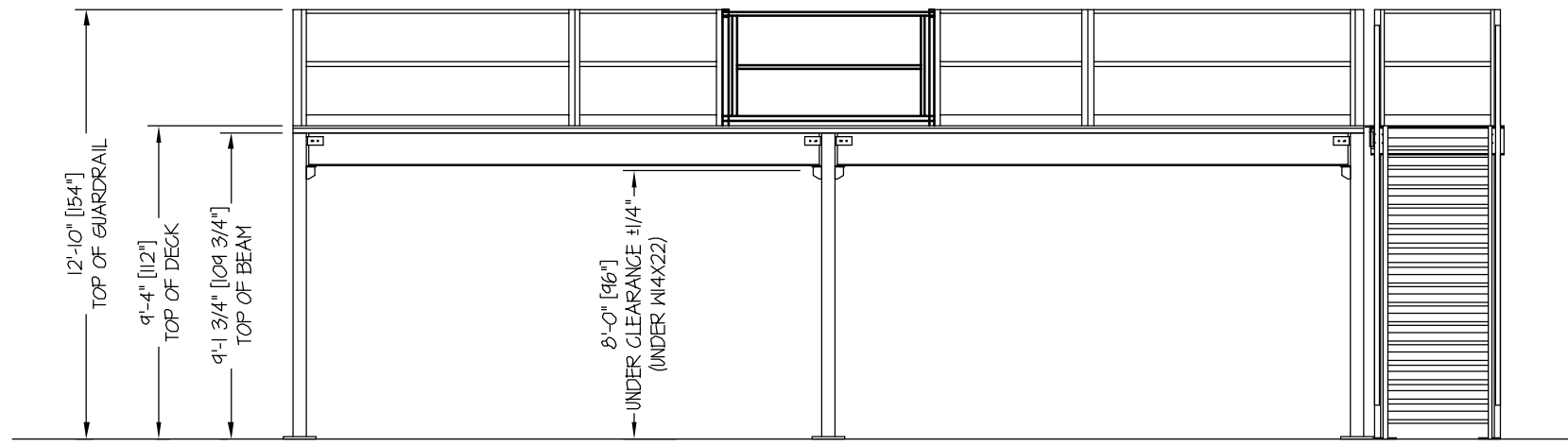
ORDER NUMBER: PK03315-5700

PROPRIETARY INFORMATION


THIS DRAWING & THE DESIGN IT COVERS ARE THE EXCLUSIVE PROPERTY OF PK STRUCTURES. THEY ARE PROVIDED ONLY ON THE BASIS OF EXPRESS AGREEMENT THAT THEY WILL NOT BE REPRODUCED, COPIED, LOANED, EXHIBITED, CHANGED, OR OTHERWISE USED IN ANY MANNER WITHOUT THE WRITTEN CONSENT OF PK STRUCTURES. THE USER OF THIS DRAWING SHALL BE RESPONSIBLE FOR MAKING NO REPRESENTATION REGARDING DRAWING SCALE & LOGO.

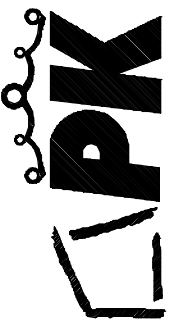


FLOOR PLAN LAYOUT

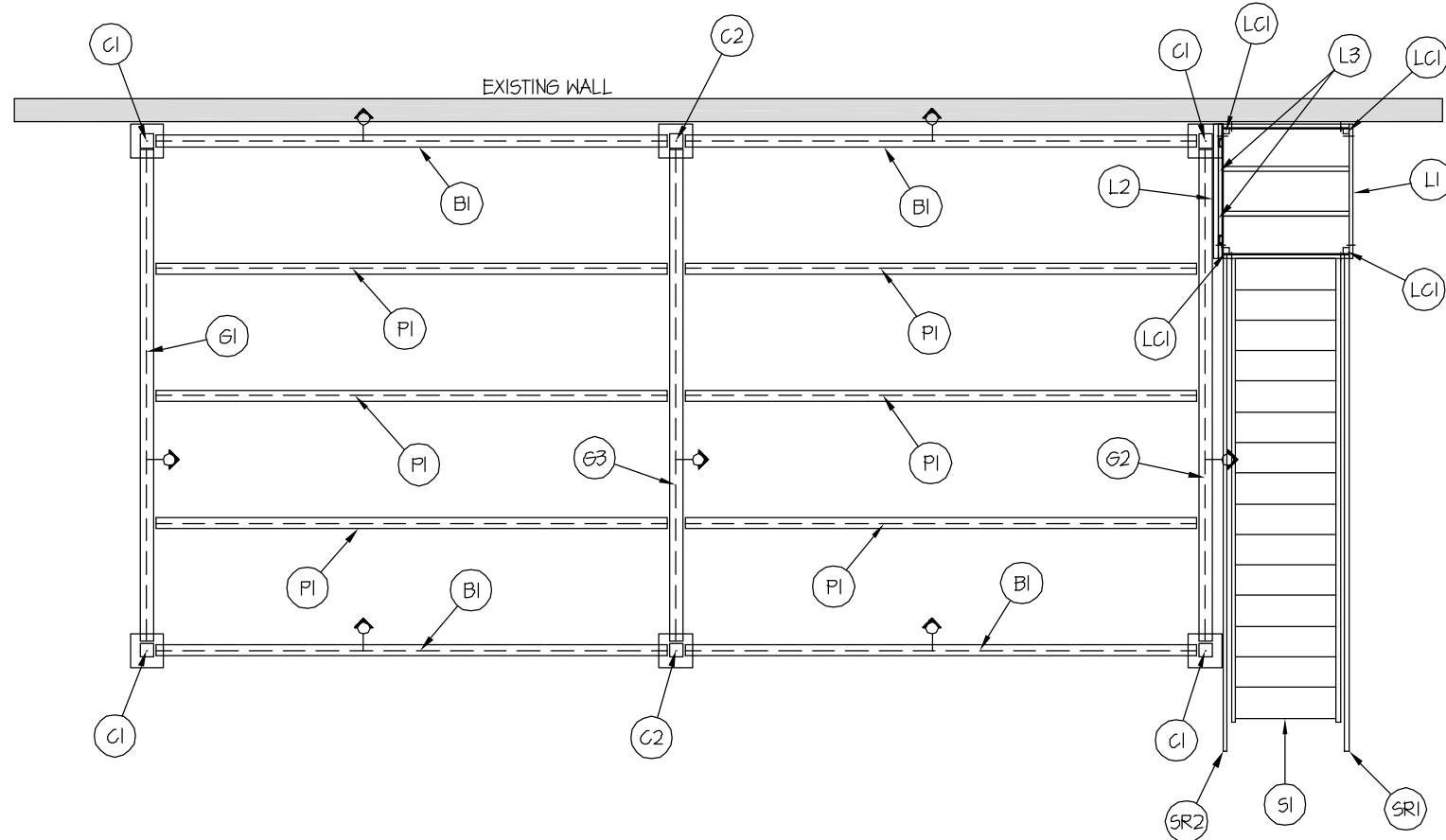


ELEVATION VIEW

DRAWN BY:	DEALER:	PAGE NAME:	REVISION
MO		FLOOR PLAN AND ELEVATION VIEW	REVISION
DATE:	JOB NAME:	 PLAN NORTH FOR REFERENCE ONLY	REVISION
12-23-04			REVISION
REVISED DATE:	LOCATION:	SHEET	REVISION
		3 OF	REVISION
SCALE:	PROPRIETARY INFORMATION	9	
3/16" = 1'-0"	THIS DRAWING & THE DESIGN IT COVERS ARE THE EXCLUSIVE PROPERTY OF PK STRUCTURES. THEY ARE PROVIDED ONLY ON THE USER'S EXPRESS AGREEMENT THAT THEY WILL NOT BE REPRODUCED, COPIED, LOANED, EXHIBITED, CHANGED OR OTHERWISE USED FOR ANY PURPOSES WITHOUT THE WRITTEN CONSENT OF PK STRUCTURES. FOR MORE INFORMATION REGARDING DRAWING SCALE & LOGO, VISIT: WWW.PKSTRUCTURES.COM		
ORDER NUMBER:			
PK03315-5700			



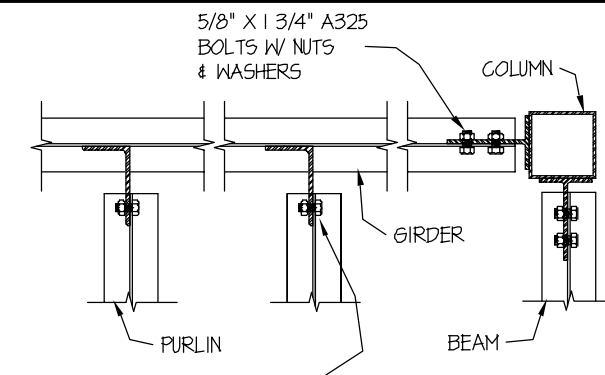
PK STRUCTURESSM
A PORTA-KING/KELLY KLOSURE ENTERPRISE
EARTH CITY, MISSOURI 63045 (PH: 1-800-284-5246)



MEZZANINE ITEM NUMBER LAYOUT

NOTE:

1. MARK NUMBERS ON BEAMS HAVE BEEN PLACED ON THE "TOP SIDE" OF THE BEAM.
2. MARK NUMBERS ON COLUMNS HAVE BEEN PLACED ON THE BOTTOM OF THE BASEPLATE.
3. WHEN PLACING ANY OTHER MATERIALS WITH MARK NUMBERS, PLACE THE MARK NUMBER SIDE TO THE CONNECTION SIDE TO COVER MARK NUMBER AFTER ASSEMBLY.

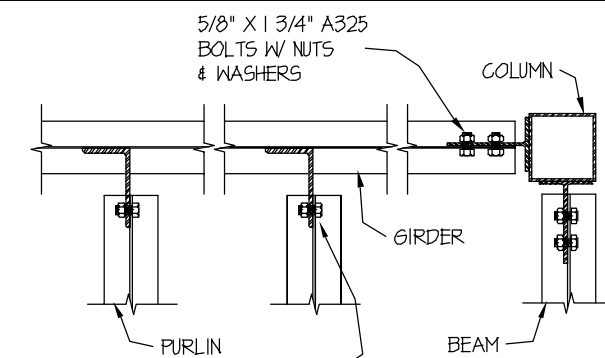


5/8" X 1 3/4" A325 BOLTS W/ NUTS & WASHERS

5/8" X 1 3/4" A325 BOLTS, NUTS, AND WASHERS. FOR THIS TYPE OF CONNECTION ONLY, SEE LOAD INDICATING WASHER INSTALLATION DETAIL.

NOTE:
- INSTALL ALL BEAMS ON THE SAME SIDE OF THE CONNECTION CLIPS UNLESS OTHERWISE NOTED.

PARTIALLY RESTRAINED COLUMN / BEAM CONNECTION



5/8" X 1 3/4" A325 BOLTS W/ NUTS & WASHERS

5/8" X 1 3/4" A325 BOLTS, NUTS, AND WASHERS. FOR THIS TYPE OF CONNECTION ONLY, SEE LOAD INDICATING WASHER INSTALLATION DETAIL.

NOTE:
- INSTALL ALL BEAMS ON THE SAME SIDE OF THE CONNECTION CLIPS UNLESS OTHERWISE NOTED.

PARTIALLY RESTRAINED COLUMN / BEAM CONNECTION



REVISION	REVISION	REVISION	REVISION	REVISION
----------	----------	----------	----------	----------

MEZZANINE ITEM NUMBER LAYOUT

PLAN NORTH
FOR REFERENCE ONLY

SHEET 4 OF 9

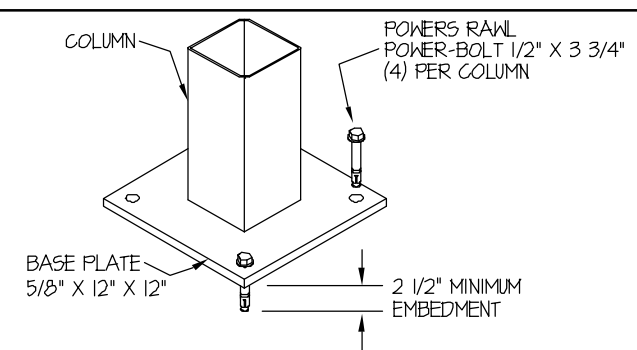
DEALER: MO

JOB NAME: 12-23-04

LOCATION:

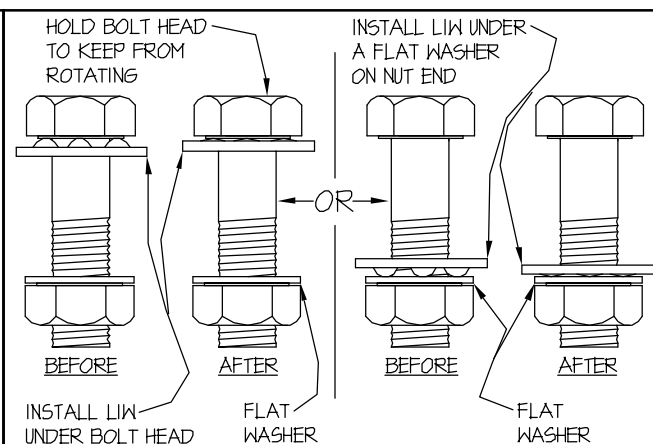
PROPRIETARY INFORMATION
THIS DRAWING AND THE DESIGN IT COVERS ARE THE EXCLUSIVE PROPERTY OF PK STRUCTURES, INC. THEY ARE PROVIDED ONLY ON THE BASIS OF EXPRESS AGREEMENT THAT THEY WILL NOT BE REPRODUCED, COPIED, LOANED, EXHIBITED, CHANGED OR OTHERWISE USED IN ANY MANNER WITHOUT THE WRITTEN CONSENT OF PK STRUCTURES, INC. MAKES NO REPRESENTATION REGARDING DRAWING SCALE & ACCURACY.

DRAWN BY:	MO
DATE:	12-23-04
REVISED DATE:	
SCALE:	3/16" = 1'-0"
ORDER NUMBER:	PK03315-5100



- IMPORTANT NOTE:**
1. BASEPLATES MUST BE IN FULL CONTACT WITH THE CONCRETE FLOOR OR EXCESSIVE MOVEMENT IN THE MEZZANINE WILL BE EXPERIENCED.
 2. DO NOT USE WASHERS OR SMALL SHIMS UNDER THE BASEPLATES. IF SHIMMING IS REQUIRED SEE SHEET #1 MEZZANINE NOTE #2 AND USE NON-SHRINK GROUT.
 3. IF THE BASEPLATE HAS ANY AIR GAP BETWEEN IT AND THE FLOOR, THEN GROUTING WILL BE REQUIRED.

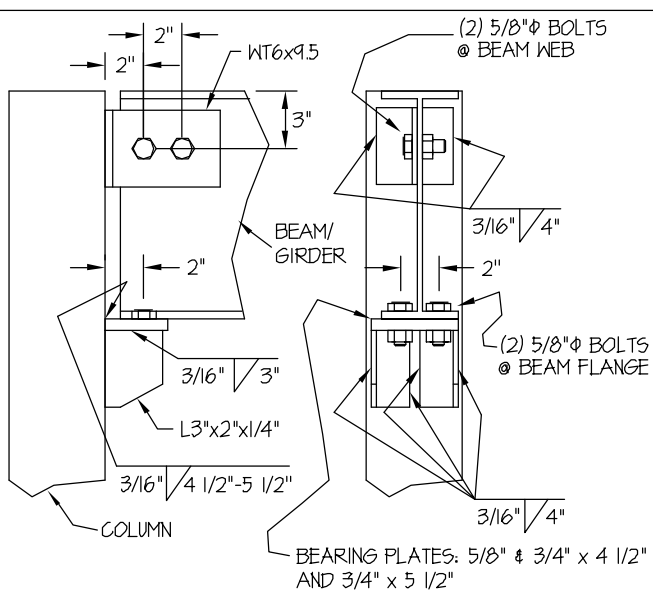
TYPICAL BASE PLATE ANCHORING DETAIL



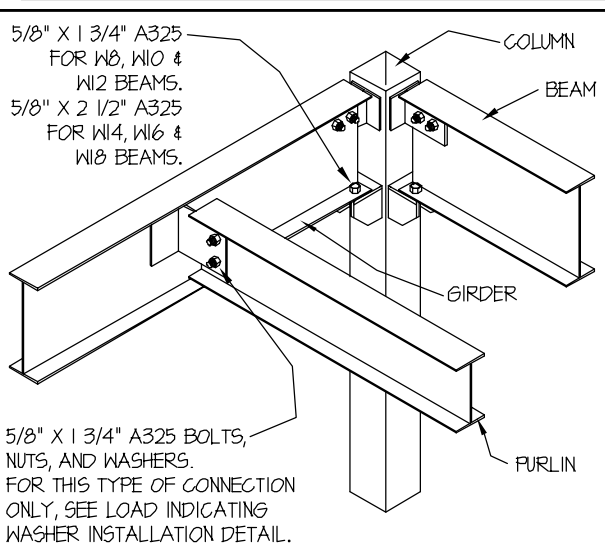
NOTE: SMALL, OR NO GAP, MEANS THE BOLT HAS BEEN TENSIONED PROPERLY. THIS GAP SHOULD BE LESS THAN .015".

**** TURN NUT TO TIGHTEN BOLT ****

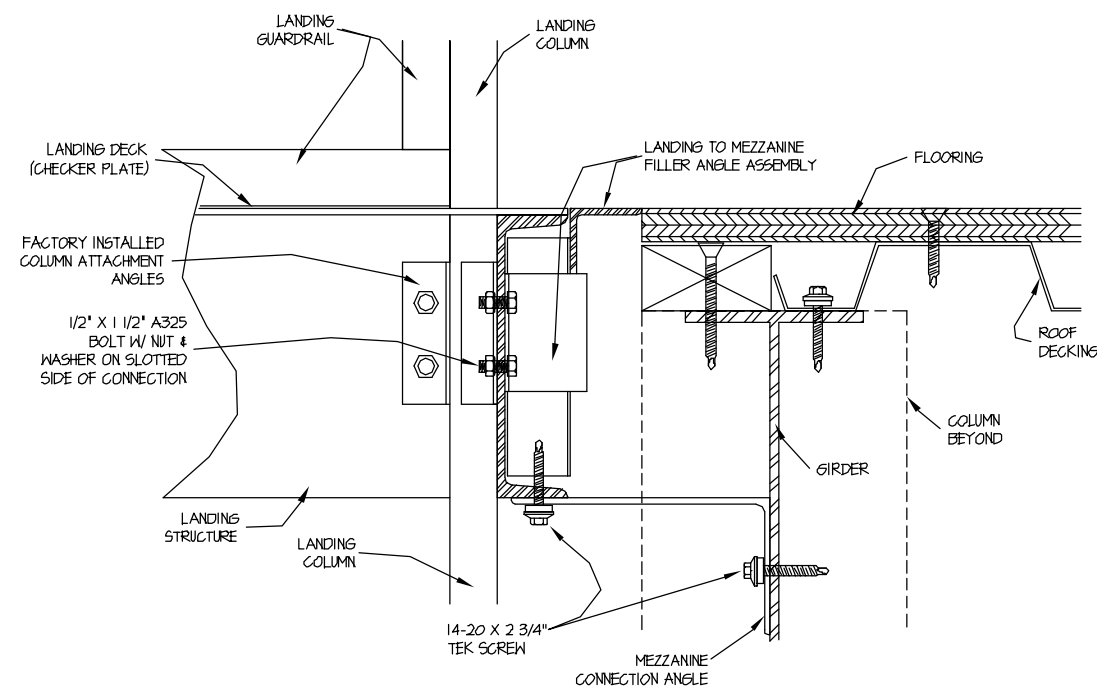
LOAD INDICATING WASHER (LIW) INSTALLATION DETAIL



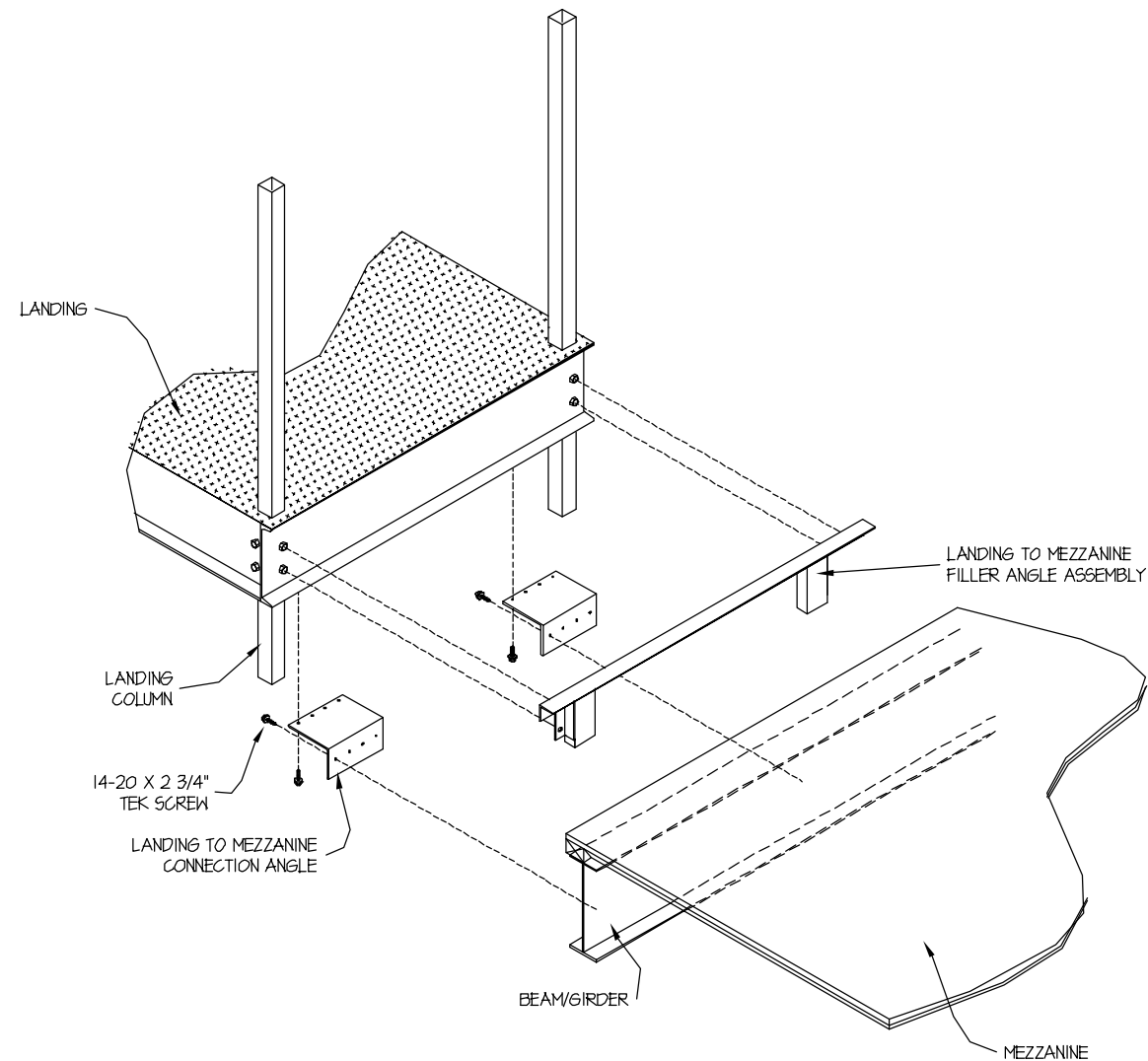
TYPICAL BEAM/GIRDER TO COLUMN CONNECTION



PARTIALLY RESTRAINED COLUMN / BEAM CONNECTION

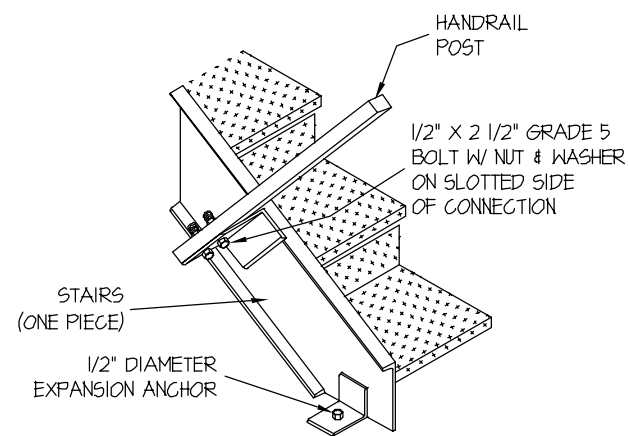


TYPICAL SECTION

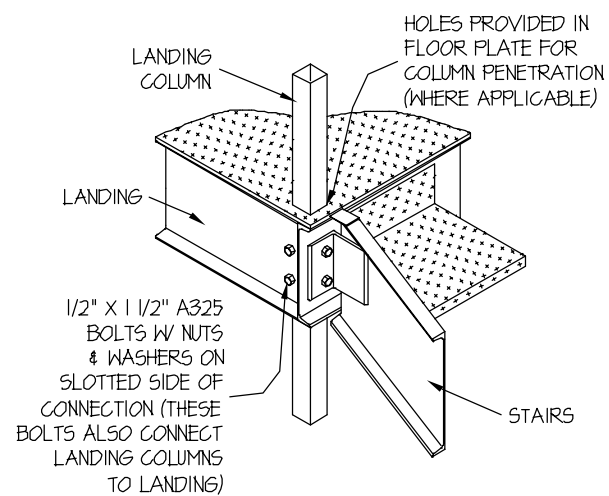


TYPICAL EXPLODED ISOMETRIC

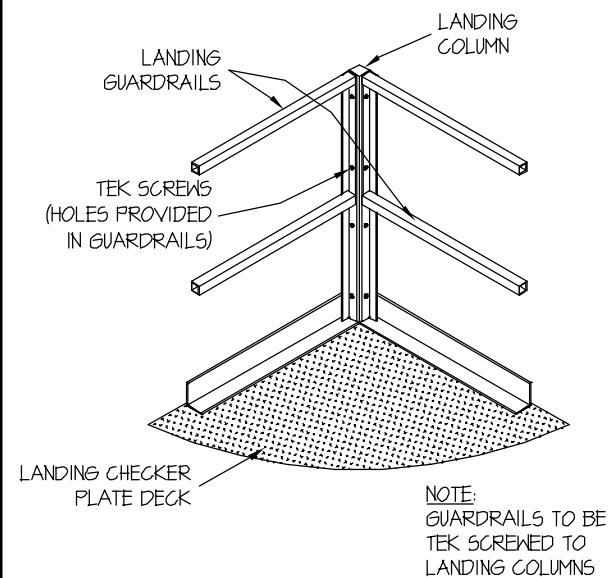
LANDING TO MEZZANINE CONNECTION



STAIR HANDRAIL TO STRINGER CONNECTION



TYPICAL STAIR TO LANDING CONNECTION



LANDING GUARDRAIL CONNECTION

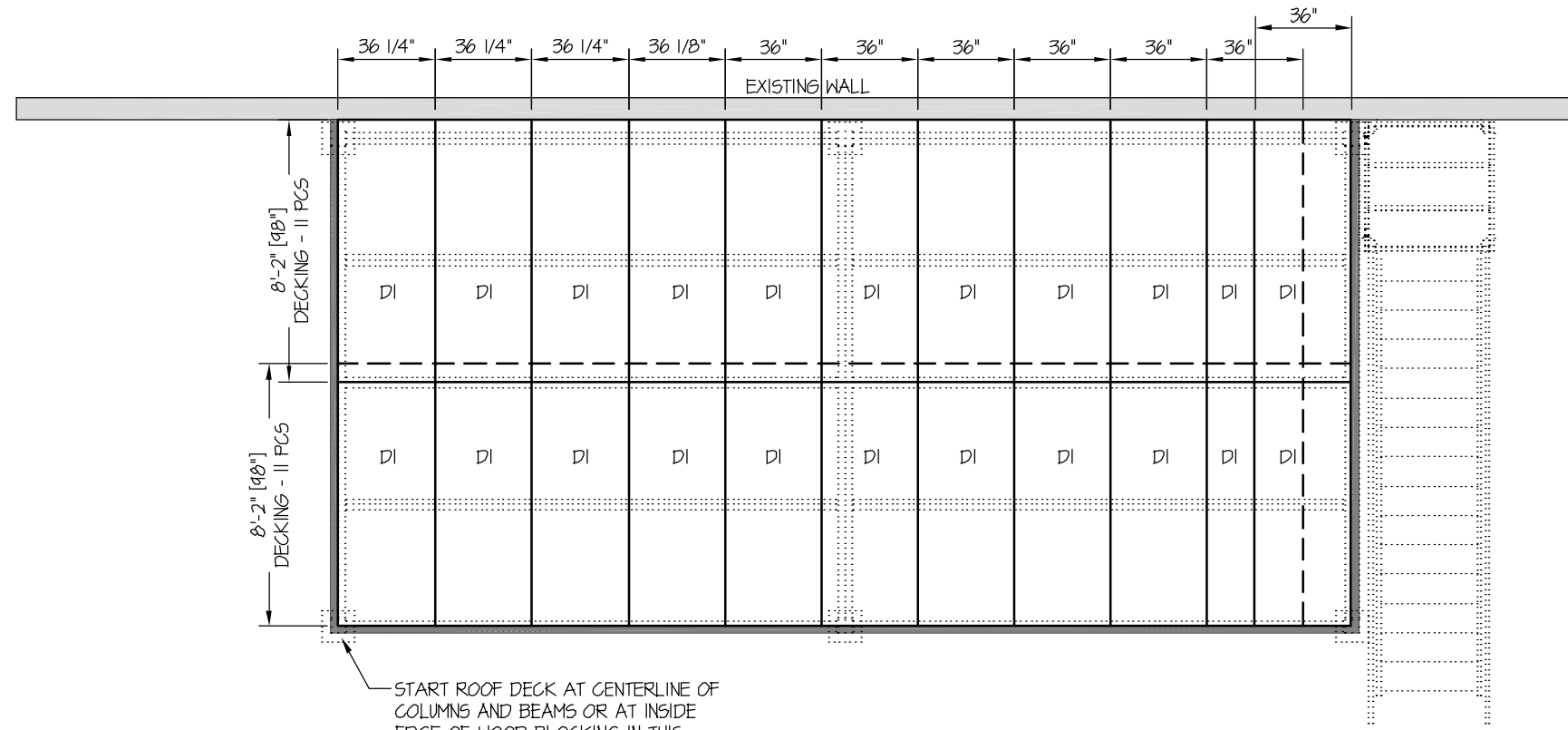
REVISION	REVISION	REVISION	REVISION	REVISION
----------	----------	----------	----------	----------

PAGE NAME: STAIR AND LANDING DETAIL SHEET

PLAN NORTH
FOR REFERENCE ONLY

SHEET 5 OF 9

DRAWN BY:	MO	DEALER:	
DATE:	12-23-04	JOB NAME:	
REVISED DATE:		LOCATION:	
SCALE:	3/16" = 1'-0"	PROPRIETARY INFORMATION	THIS DRAWING & THE DESIGN IT COVERS ARE THE EXCLUSIVE PROPERTY OF PK STRUCTURES. THEY ARE PROVIDED ONLY ON THE BASIS OF EXPRESS AGREEMENT THAT THEY WILL NOT BE REPRODUCED, COPIED, LOANED, EXHIBITED, CHANGED, OR OTHERWISE USED IN ANY MANNER WITHOUT THE WRITTEN CONSENT OF PK STRUCTURES. MAKES NO REPRESENTATION REGARDING DRAWING SCALE & LOGO(S).
ORDER NUMBER:	PK03315-5700		



INSTALL ROOF DECK AT CENTERLINE OF COLUMNS AND BEAMS OR AT INSIDE EDGE OF WOOD BLOCKING UNLESS OTHERWISE NOTED ON DECKING LAYOUT.

START ROOF DECK AT CENTERLINE OF COLUMNS AND BEAMS OR AT INSIDE EDGE OF WOOD BLOCKING IN THIS CORNER OF THE MEZZANINE.

ROOF DECK LAYOUT

REVISION
REVISION
REVISION
REVISION
REVISION



PLAN NORTH
FOR REFERENCE ONLY

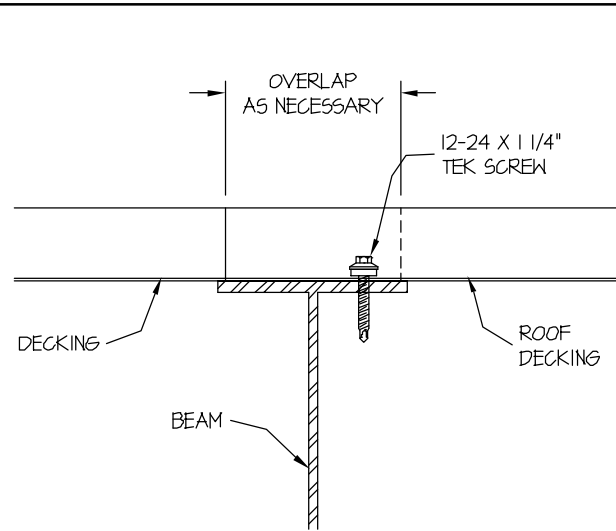
PAGE NAME: ROOF DECK LAYOUT

SHEET 6 OF 9

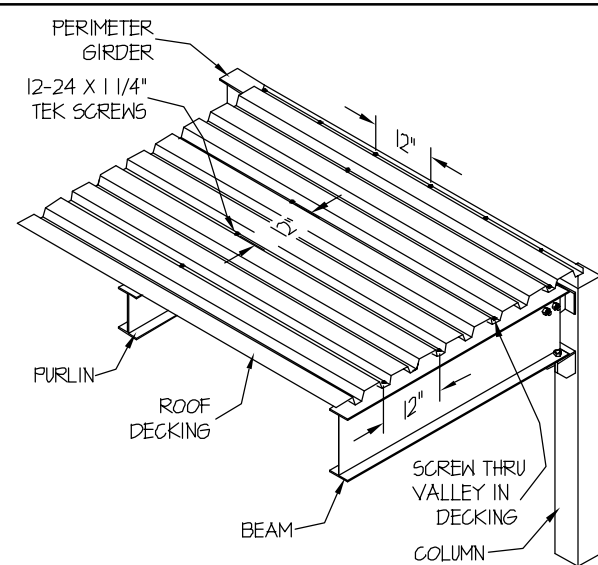
DEALER:
JOB NAME:
LOCATION:

PROPRIETARY INFORMATION
 THIS DRAWING AND THE DESIGN IT COVERS ARE THE EXCLUSIVE PROPERTY OF PK STRUCTURES. THEY ARE PROVIDED ONLY ON THE USER'S EXPRESS AGREEMENT THAT THEY WILL NOT BE REPRODUCED, COPIED, LOANED, EXHIBITED, CHANGED OR OTHERWISE USED IN ANY MANNER WITHOUT THE WRITTEN CONSENT OF PK STRUCTURES. THIS DRAWING IS MADE TO SCALE AND SHALL BE MADE TO SCALE. NO REPRESENTATION REGARDING DRAWING SCALE IS MADE.

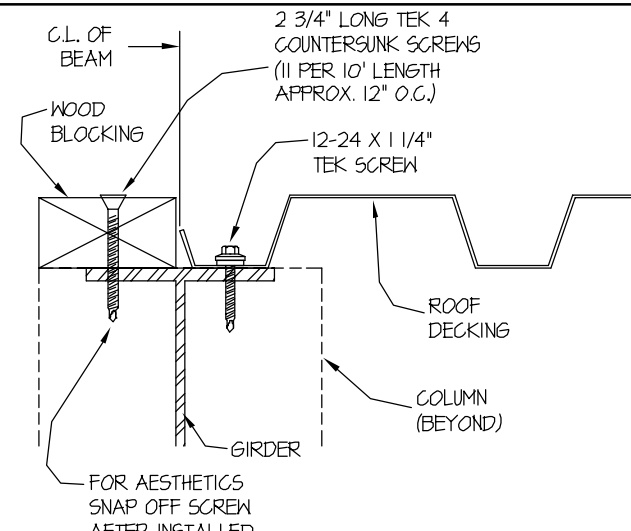
DRAWN BY: MO
DATE: 12-23-04
REVISED DATE:
SCALE: 3/16" = 1'-0"
ORDER NUMBER: PK03315-5700



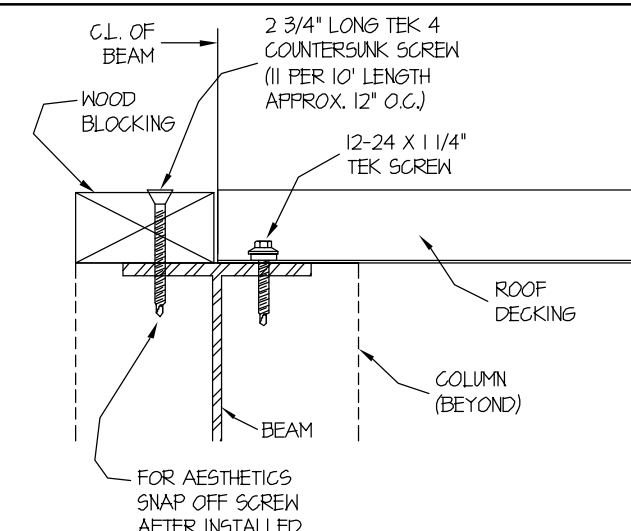
ROOF DECKING TO BEAM ATTACHMENT W/ OVER LAPS AT INTERIOR BEAMS



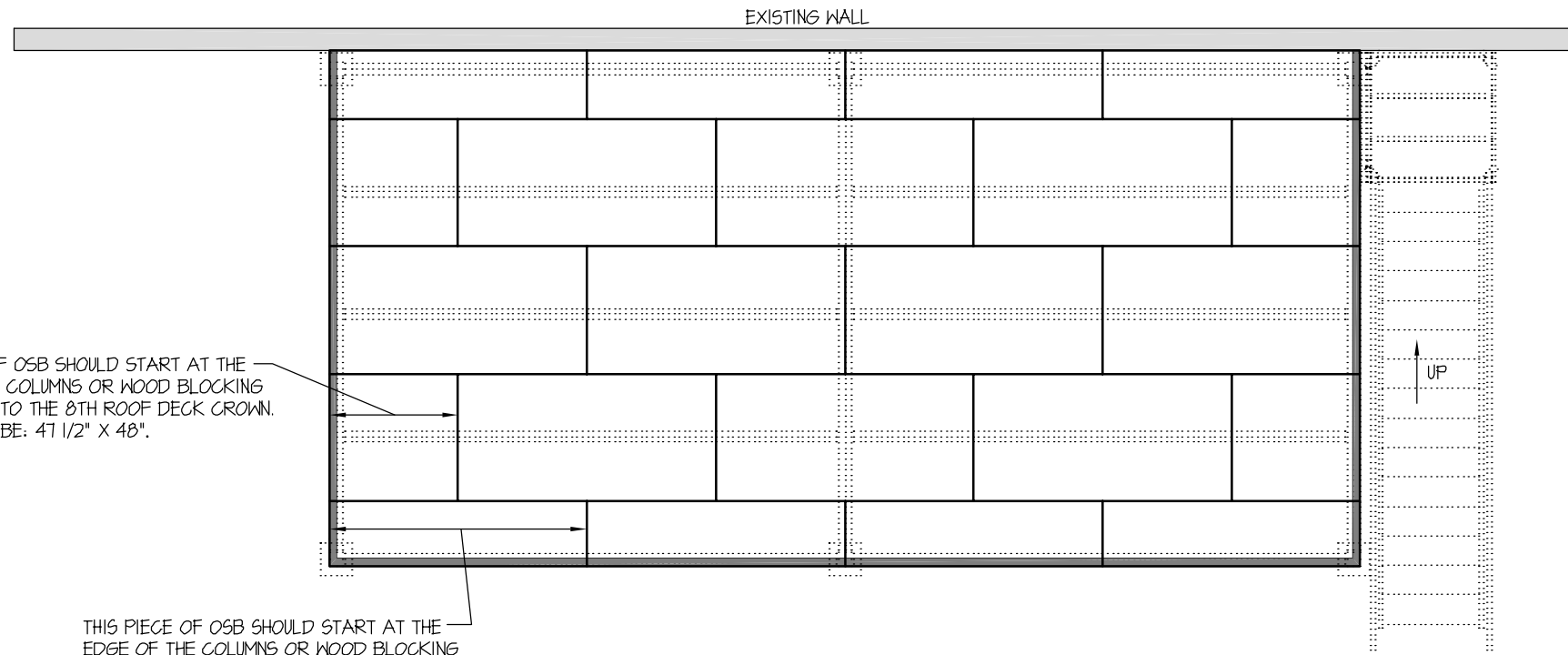
ROOF DECKING TO BEAM ATTACHMENT W/ PARTIALLY RESTRAINED CONNECTIONS



PERIMETER ROOF DECKING TO BEAM ATTACHMENT AT DECKING PROFILE VIEW



PERIMETER ROOF DECKING TO BEAM ATTACHMENT AT DECKING SIDE VIEW



THIS PIECE OF OSB SHOULD START AT THE EDGE OF THE COLUMNS OR WOOD BLOCKING AND EXTEND TO THE 8TH ROOF DECK CROWN. SIZE SHOULD BE: 41 1/2" X 48".

THIS PIECE OF OSB SHOULD START AT THE EDGE OF THE COLUMNS OR WOOD BLOCKING AND EXTEND TO THE 16TH ROOF DECK CROWN. SIZE SHOULD BE: 24" X 96".

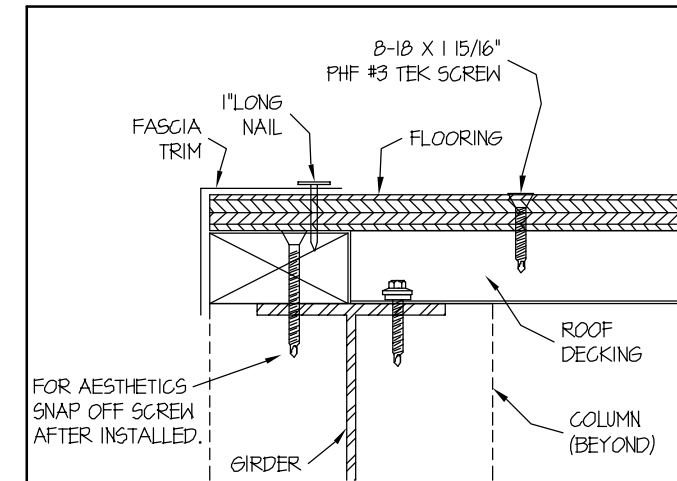
OSB LAYOUT

INSTALL OSB FLUSH WITH OUTSIDE EDGE OF COLUMNS OR WOOD BLOCKING UNLESS OTHERWISE NOTED ON OSB LAYOUT.

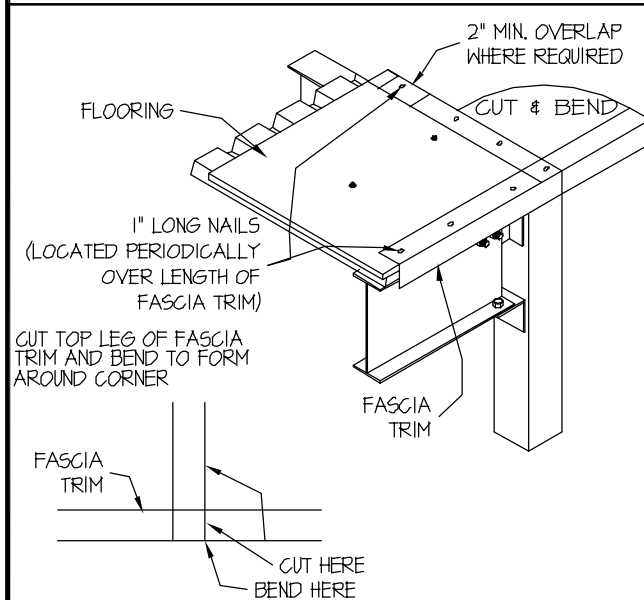
ALL OSB WILL BE FIELD CUT TO SIZE. ALL END TO END/BUTT-EDGE JOINTS NEED TO LAND ON THE ROOF DECK CROWNS.

CRITERIA FOR FASTENING OSB TO ROOF DECK:

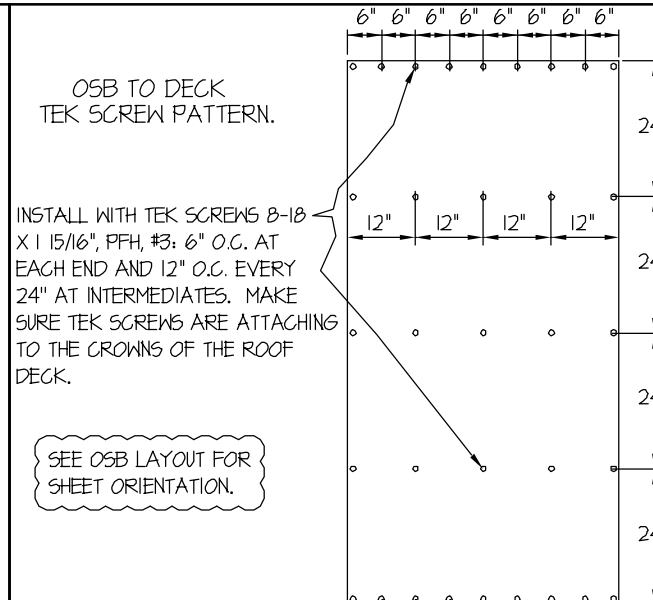
- 1) USE A TOOL THAT CAN CONTROL THE DEPTH AND HAS A CLUTCH.
- 2) DO NOT SPIN THE TEK SCREWS FASTER THAN 2000 RPM.
- 3) LET THE DRILL POINT ON THE TEK SCREW DO THE WORK. ONLY APPLY ENOUGH PRESSURE TO ENGAGE THE CLUTCH
- 4) RECOMMEND TOOL FOR THIS TEK SCREW IS A HILTI ST18 OR EQUAL.



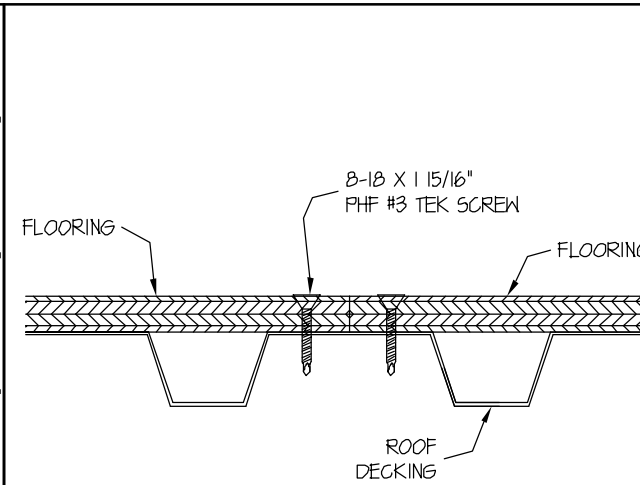
WOOD FLOORING TO ROOF DECKING CONNECTION AT DECKING SIDE VIEW



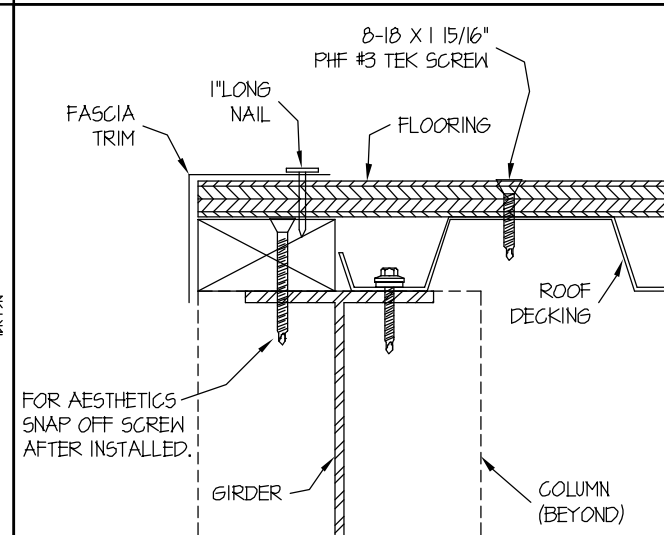
EDGE FLASHING INSTALLATION



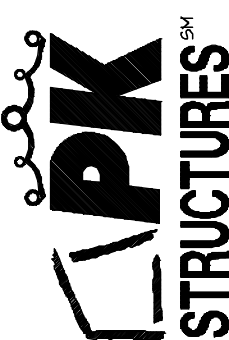
TYPICAL OSB TO ROOF DECK CONNECTION




WOOD FLOORING TO ROOF DECKING CONNECTION AT FLOORING JOINTS

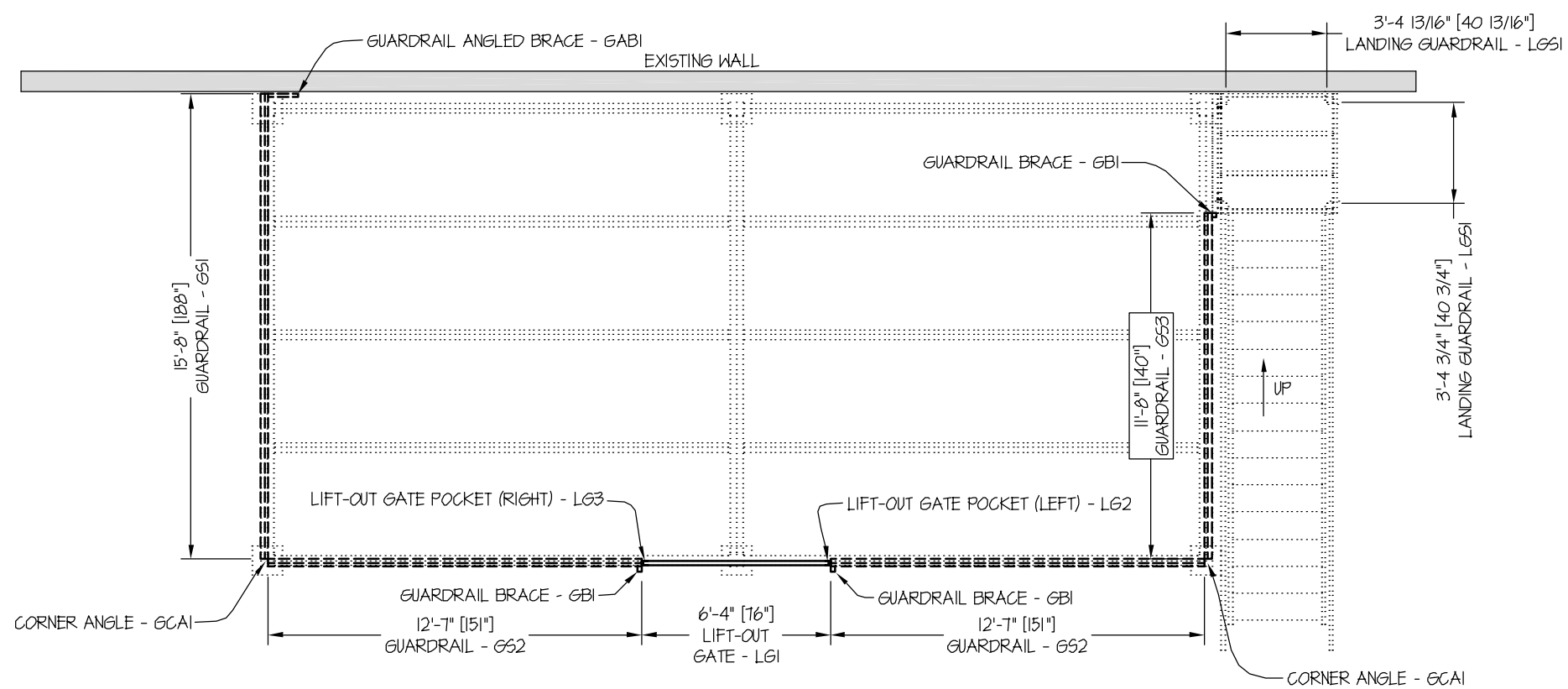


WOOD FLOORING TO ROOF DECKING CONNECTION AT DECKING PROFILE VIEW

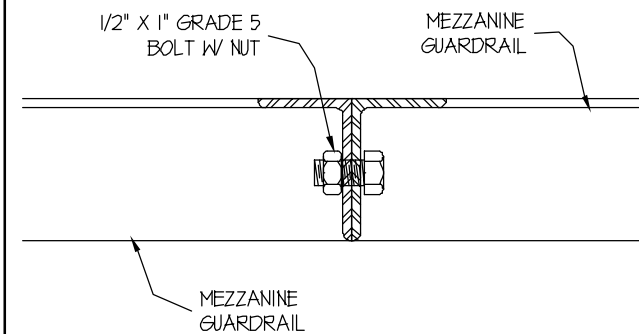


PK STRUCTURESSM
A PORTA-KING/KELLY KLOSURE ENTERPRISE
EARTH CITY, MISSOURI 63045 (PH: 1-800-284-5246)

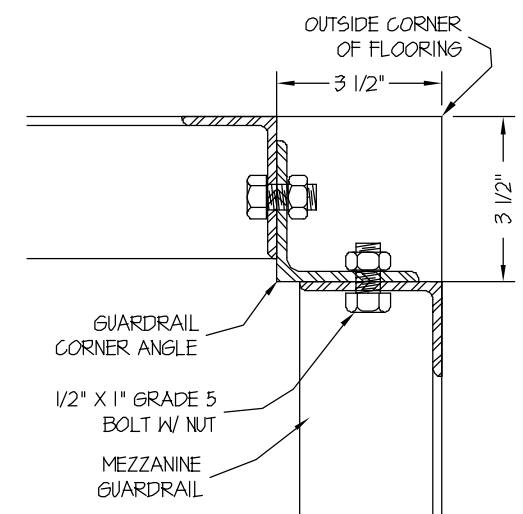
REVISION	REVISION	REVISION	REVISION	REVISION	REVISION	REVISION	REVISION
 <p>PLAN NORTH FOR REFERENCE ONLY</p>							
OSB LAYOUT				PAGE NAME:			
SHEET 1 OF 9				SHEET 1 OF 9			
DRAWN BY:	DATE:	REVISED DATE:	SCALE:	ORDER NUMBER:	DEALER:	JOB NAME:	LOCATION:
MO	12-23-04		3/16" = 1'-0"				
				<p><small>PROPRIETARY INFORMATION THIS DRAWING, THE DESIGN IT COVERS ARE THE EXCLUSIVE PROPERTY OF PK STRUCTURES. THEY ARE PROVIDED ONLY ON THE USER'S EXPRESS AGREEMENT THAT THEY WILL NOT BE REPRODUCED, COPIED, LOANED, EXHIBITED, CHANGED OR OTHERWISE USED IN ANY MANNER WITHOUT THE WRITTEN CONSENT OF PK STRUCTURES. MAKE NO REPRESENTATION REGARDING DRAWING SCALE & LOGO/LOGO.</small></p>			
				PK03315-5700			



GUARDRAIL ITEM NUMBER LAYOUT



GUARDRAIL TO GUARDRAIL CONNECTION



GUARDRAIL CORNER CONNECTION

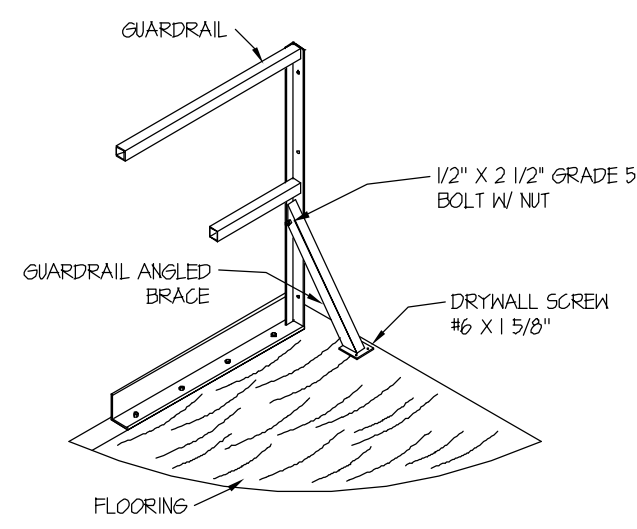
REVISION	REVISION	REVISION	REVISION	REVISION
----------	----------	----------	----------	----------

PAGE NAME: GUARDRAIL ITEM NUMBER LAYOUT

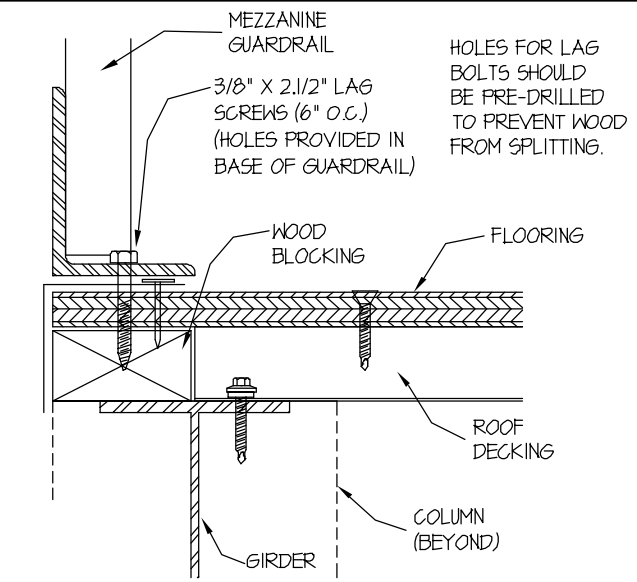
PLAN NORTH FOR REFERENCE ONLY

SHEET 8 OF 9

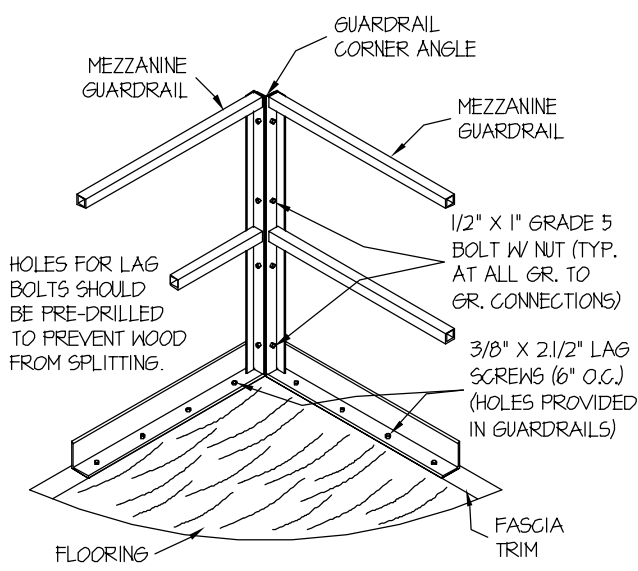
DEALER:	MO	LOCATION:	PROPRIETARY INFORMATION
DATE:	12-23-04	REVISION DATE:	THIS DRAWING AND THE DESIGN IT COVERS ARE THE EXCLUSIVE PROPERTY OF PK STRUCTURES. THEY ARE PROVIDED ONLY ON THE USER'S EXPRESS AGREEMENT THAT THEY WILL NOT BE REPRODUCED, COPIED, LOANED, EXHIBITED, CHANGED OR OTHERWISE USED IN ANY MANNER WITHOUT THE WRITTEN CONSENT OF PK STRUCTURES. MAKES NO REPRESENTATION REGARDING DRAWING SCALE & MAGNIFICATION.
SCALE:	3/16" = 1'-0"	ORDER NUMBER:	PK03315-5100



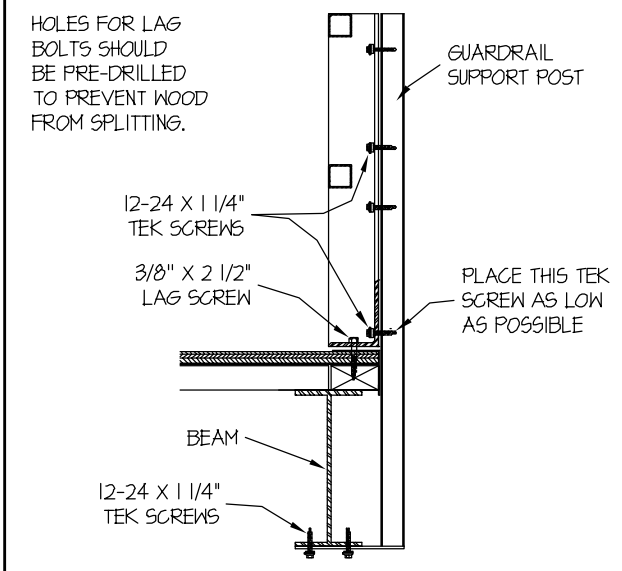
GUARDRAIL ANGLED BRACE CONNECTION



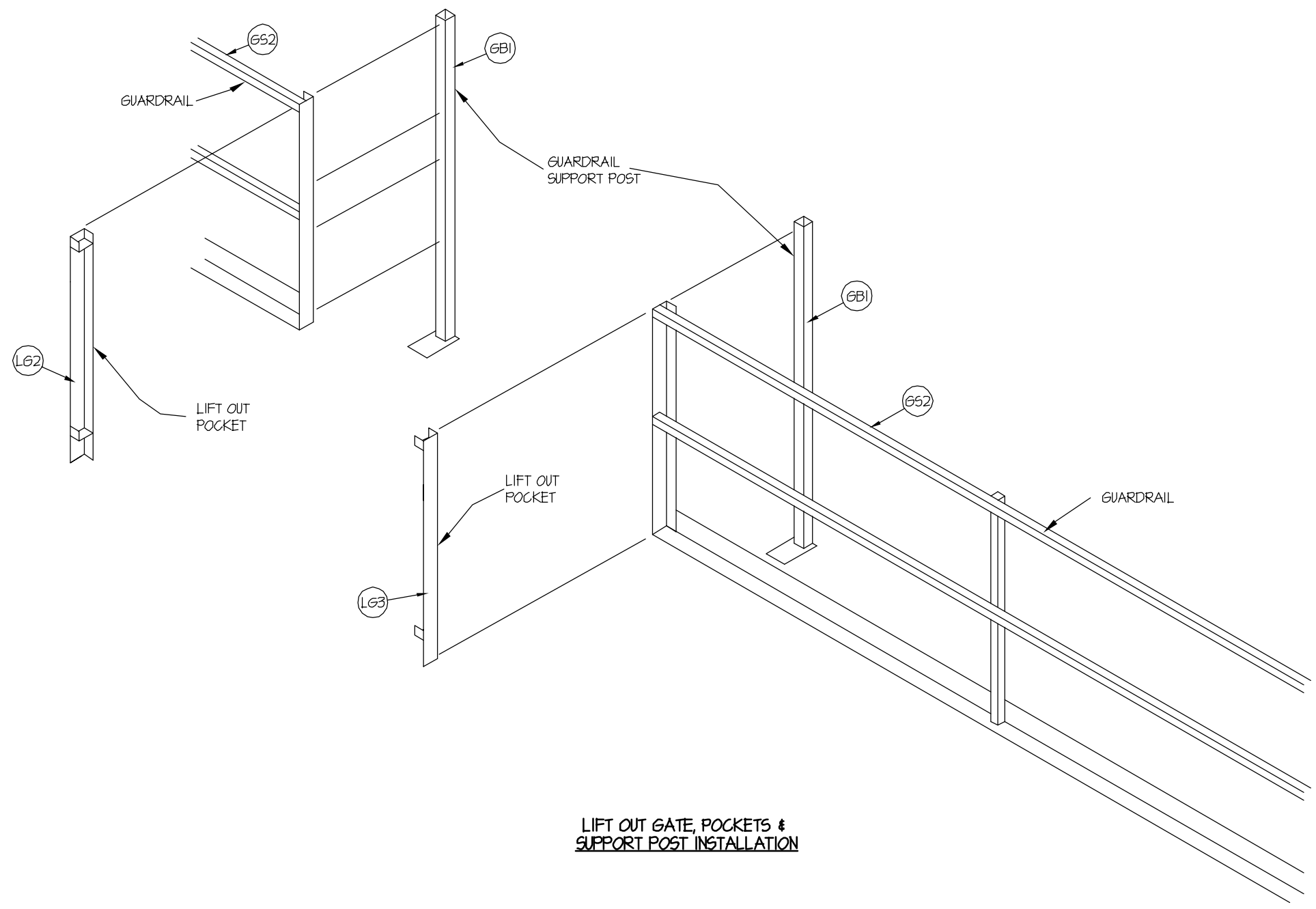
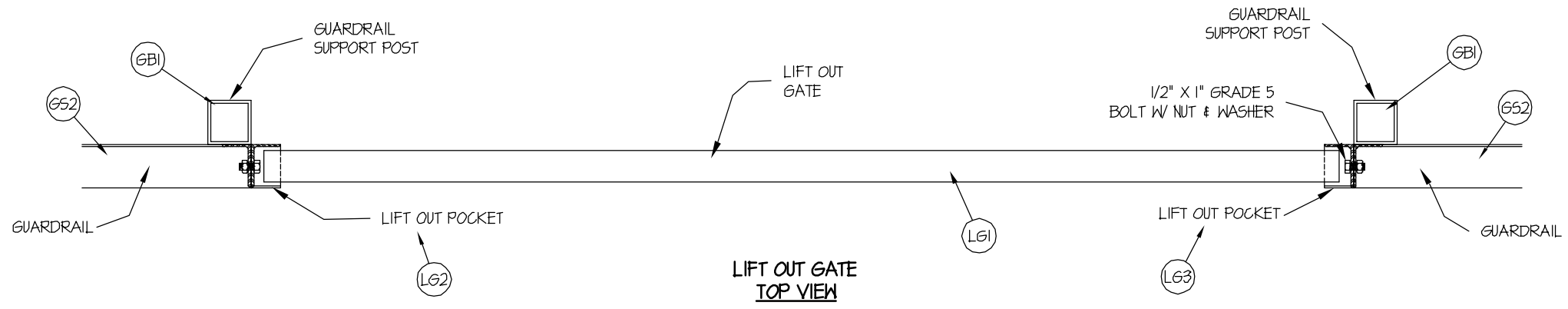
GUARDRAIL BASE SECTION AT DECKING SIDE VIEW



GUARDRAIL CORNER CONNECTION



GUARDRAIL BRACE ATTACHMENT



REVISION
REVISION
REVISION
REVISION
REVISION

PAGE NAME: LIFT OUT GATE DETAIL SHEET

PLAN NORTH FOR REFERENCE ONLY

SHEET 1 OF 1

DRAWN BY:	DEALER:	PROPRIETARY INFORMATION
DATE:	JOB NAME:	THIS DRAWING & THE DESIGN IT COVERS ARE THE EXCLUSIVE PROPERTY OF PK STRUCTURES. THEY ARE PROVIDED ONLY ON THE USER'S EXPRESS AGREEMENT THAT THEY WILL NOT BE REPRODUCED, COPIED, LOANED, EXHIBITED, CHANGED OR OTHERWISE USED FOR ANY PURPOSE WITHOUT THE WRITTEN CONSENT OF PK STRUCTURES. THE USER AGREES TO HOLD PK STRUCTURES HARMLESS AND MAKES NO REPRESENTATION REGARDING DRAWING SCALE & ACCURACY.
REVISION DATE:	LOCATION:	SCALE: 3/16" = 1'-0"
ORDER NUMBER:		PK03315-5700