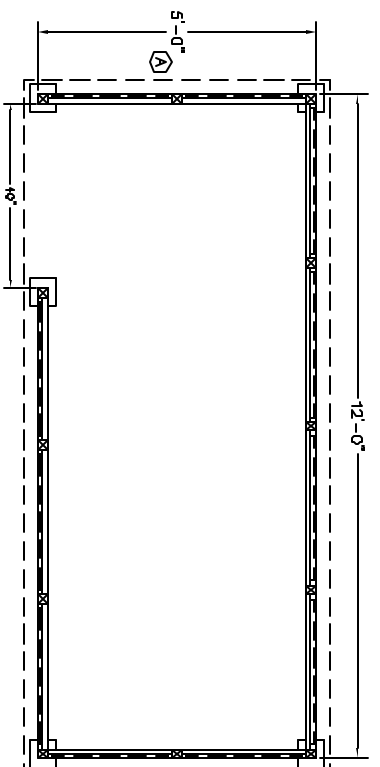
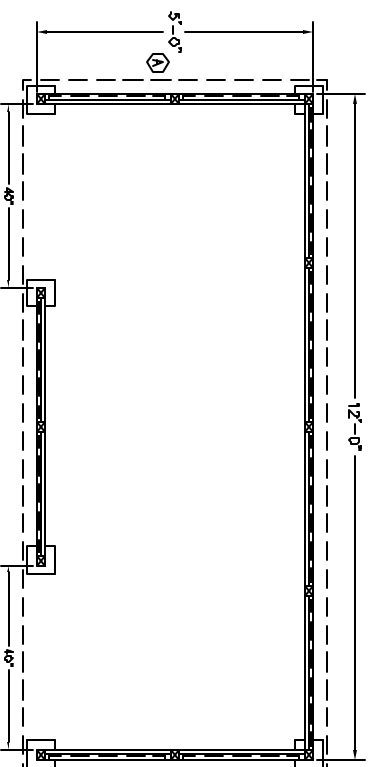


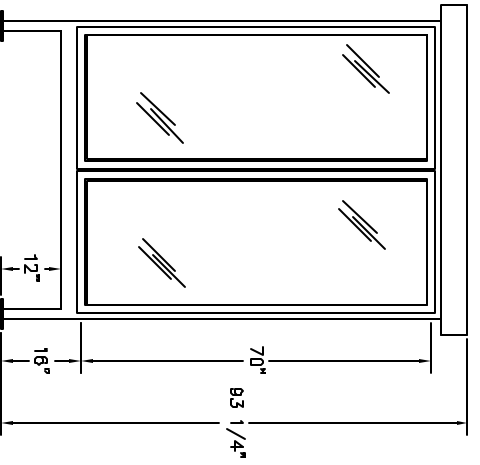
PLAN VIEW - STYLE "A"



PLAN VIEW - STYLE "B"

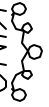


PLAN VIEW - STYLE "C"



ELEVATION A

- SHELTER MODEL SHL125 NOTES :
- \* WELDED STEEL CONSTRUCTION, PAINTED ONE COLOR
  - \* 3" OVERHANG EXTERIOR ROOF
  - \* CLEAR ANODIZED ALUMINUM FIXED WINDOW FRAMES
  - \* CLEAR TEMPERED GLAZING

  
**PORTA-KING BUILDING SYSTEMS**

4133 SHORELINE DRIVE      EARTH CITY, MISSOURI 63045  
 1-800-456-5464      FAX 314-291-2857      www.portaking.com

TITLE      SHELTER MODEL SHL125