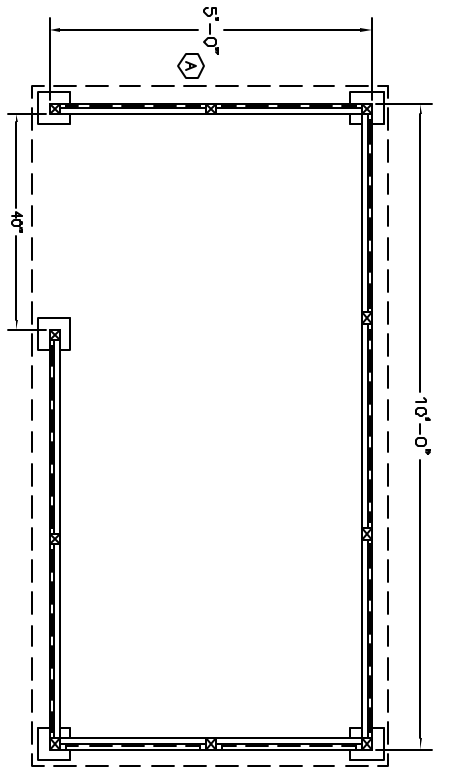
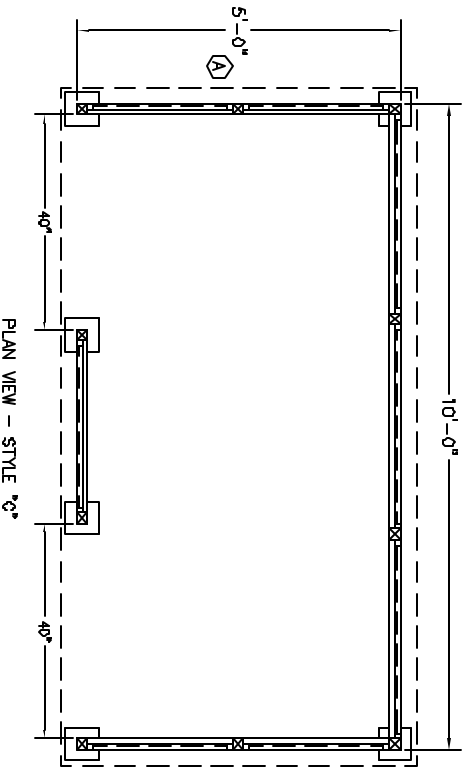


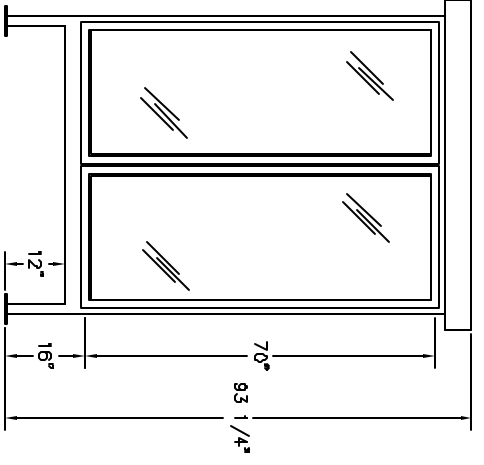
PLAN VIEW - STYLE "A"



PLAN VIEW - STYLE "B"




PLAN VIEW - STYLE "C"



ELEVATION A

- SHELTER MODEL SMK105 NOTES :
- \* WELDED STEEL CONSTRUCTION, PAINTED ONE COLOR
  - \* 3" OVERHANG EXTERIOR ROOF
  - \* CLEAR ANODIZED ALUMINUM FIXED WINDOW FRAMES
  - \* CLEAR TEMPERED GLAZING

 <p><b>PORTA-KING BUILDING SYSTEMS</b></p>	
<p>4133 SHORELINE DRIVE 1-800-456-5464 FAX 314-291-2857 www.portaking.com</p>	<p>EARTH CITY, MISSOURI 63045</p>
<p>TITLE: SHELTER MODEL SMK105</p>	