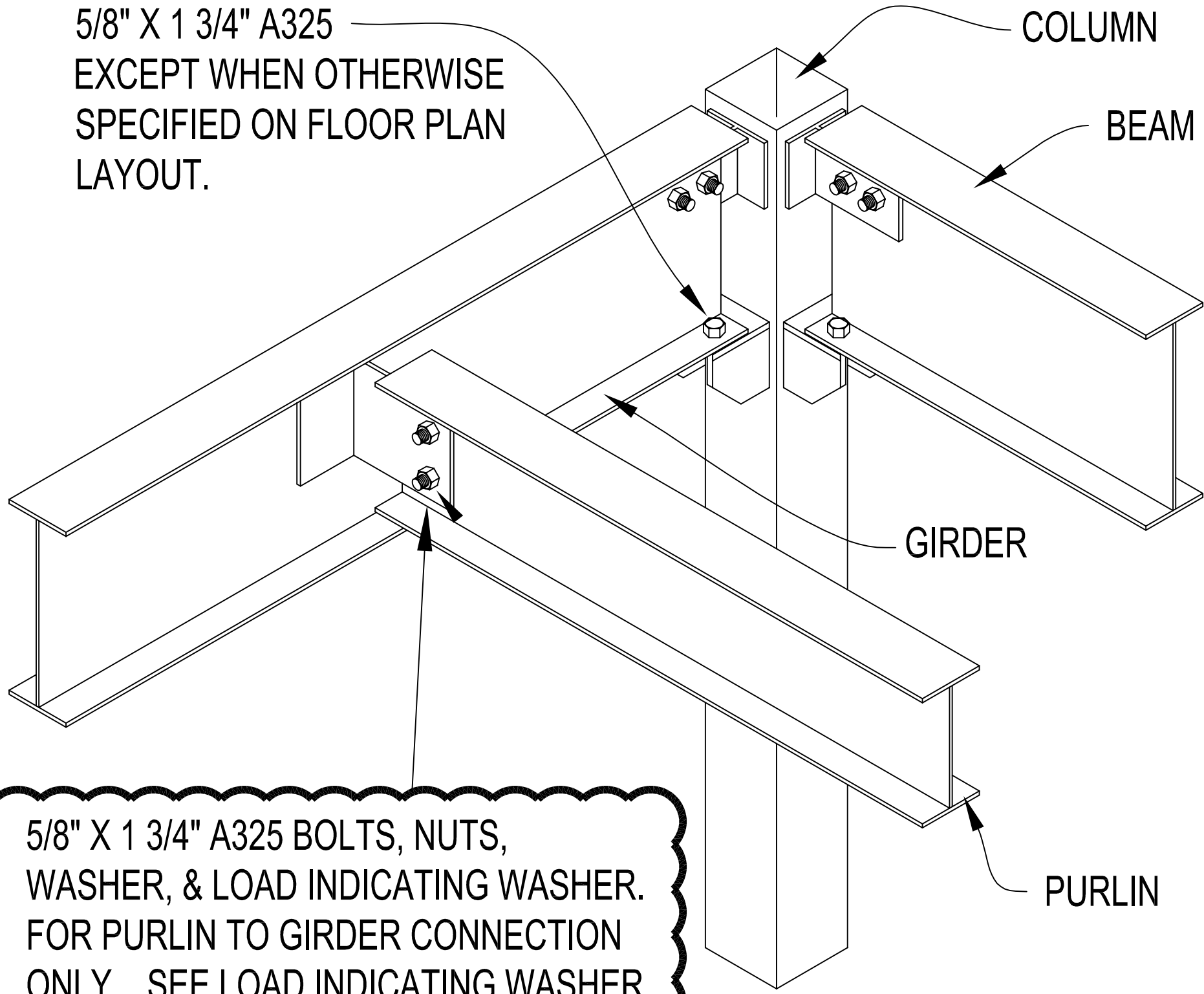


5/8" X 1 3/4" A325
EXCEPT WHEN OTHERWISE
SPECIFIED ON FLOOR PLAN
LAYOUT.



5/8" X 1 3/4" A325 BOLTS, NUTS,
WASHER, & LOAD INDICATING WASHER.
FOR PURLIN TO GIRDER CONNECTION
ONLY. SEE LOAD INDICATING WASHER
DETAIL FOR INSTALLATION.

PARTIALLY RESTRAINED COLUMN / BEAM CONNECTION