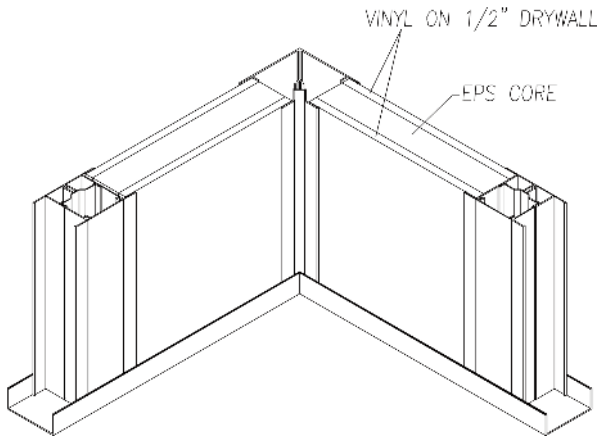


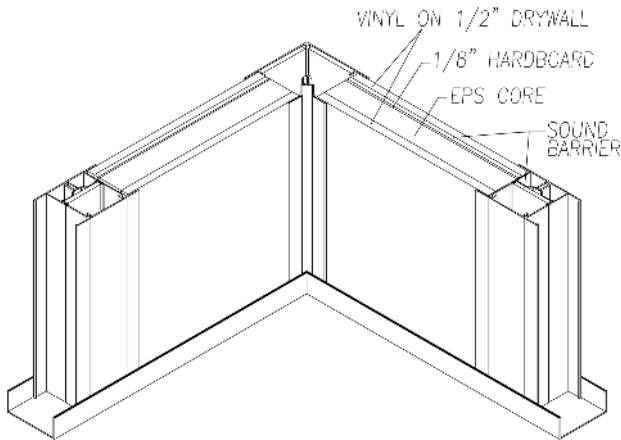
## PORTA-KING SOUND REDUCING WALL SYSTEMS

Porta-King offers three alternatives for sound attenuating wall construction. This allows you to choose the right system depending upon the level of sound control your project requires.



### GOOD

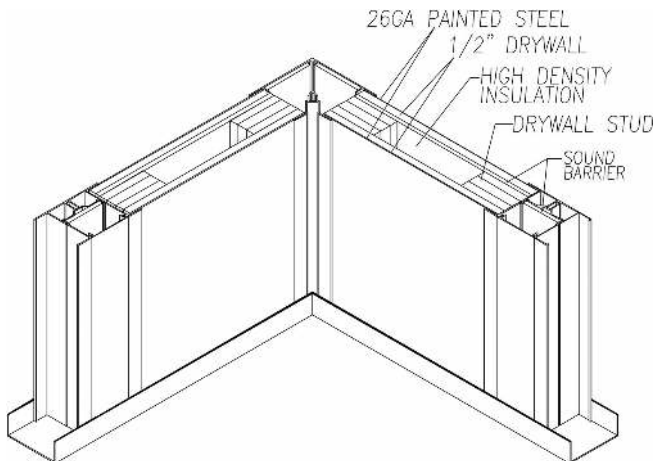
This option, which includes a 1/2" of vinyl covered drywall laminated to both sides of an EPS core is our most economical sound control option. This panel provides a sound transmission class (STC) of 27 with an average decibel (dB) reduction level of 36.



### BETTER

This design represents our "better" option for sound control. Panels consist of the same 1/2" vinyl covered drywall laminated to both sides of an EPS core with the addition of our sound barrier core.

This panel provides an STC of 34 with an average dB reduction level of 41.



### BEST

Our best option for sound control is a unique design consisting of a sound deadening high density batt insulation combined with the sound barrier core. A smooth 26 gauge painted steel laminated to 1/2" drywall is included on both sides to complete this panel design.

This panel provides an STC of 47 with an average dB reduction level of 48.

Note: An STC rating identifies the sound transmission class for the panel only. For the best sound solutions you must consider the entire structure.