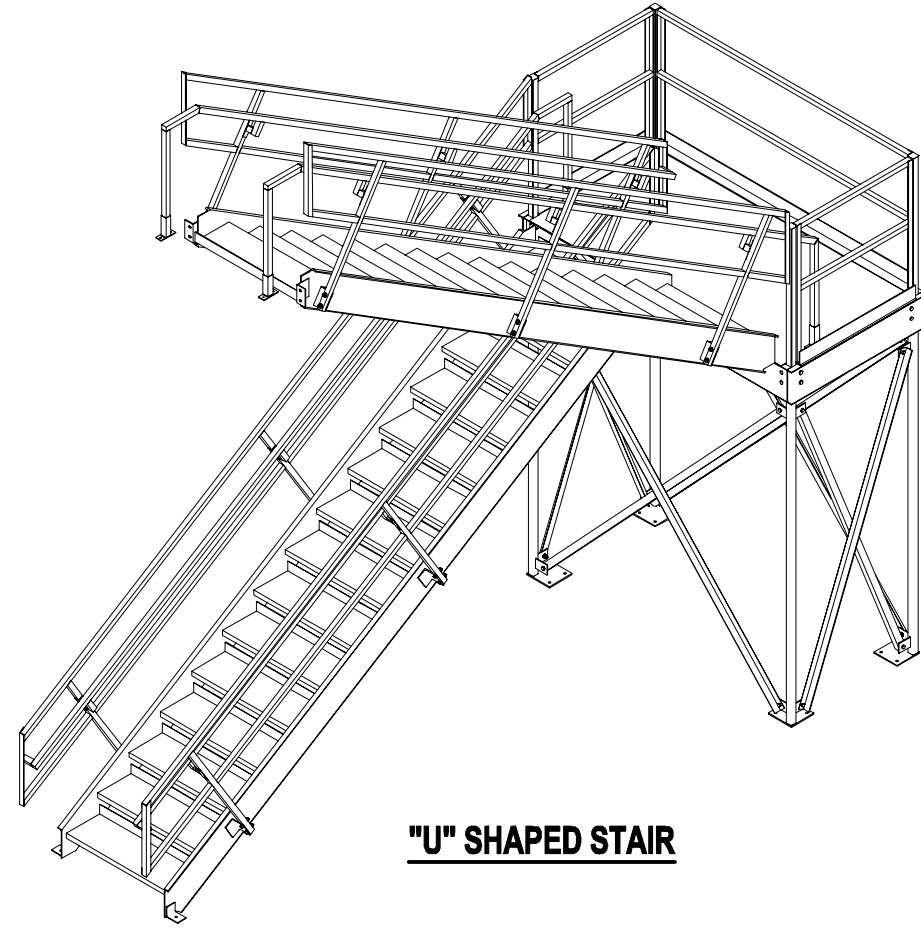
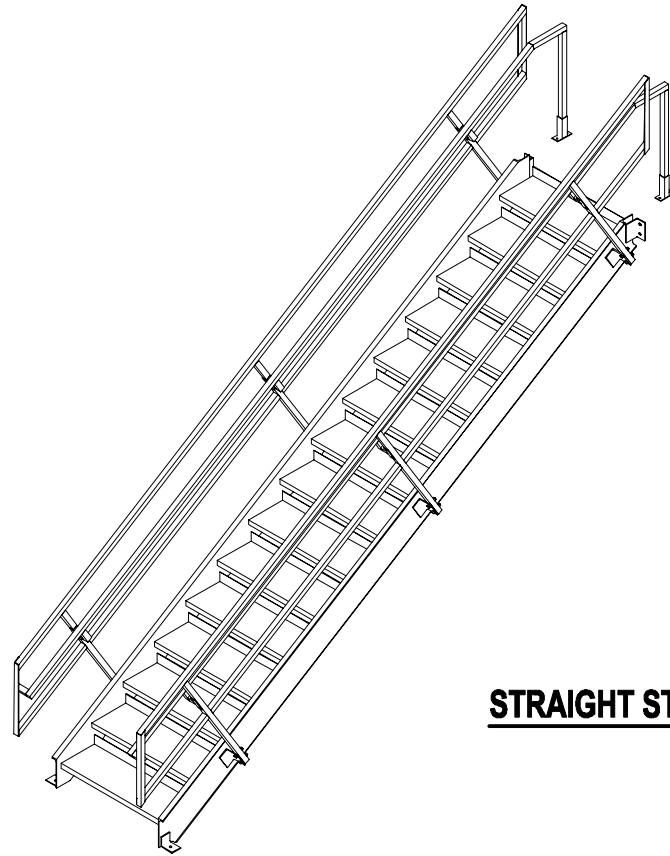


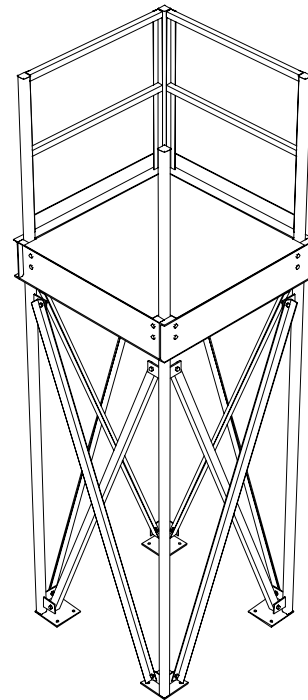
"L" SHAPED STAIR



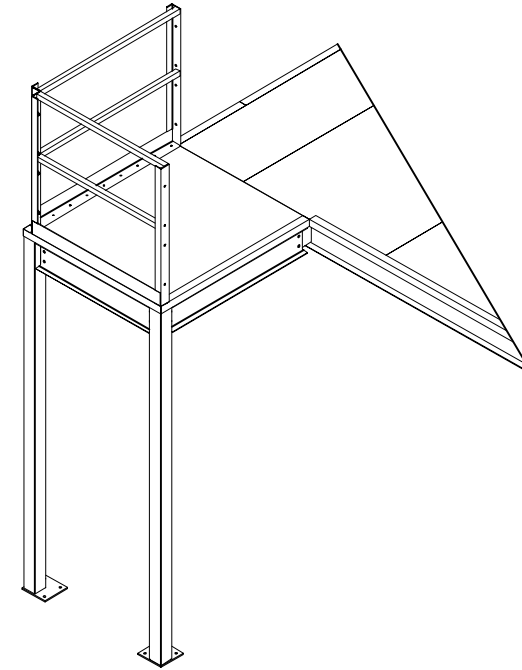
"U" SHAPED STAIR



STRAIGHT STAIR



**FREE-STANDING
UPPER LANDING**



**MEZZANINE SUPPORTED
UPPER LANDING**

| |
|-----------|
| REVISION: |
| REVISION: |
| REVISION: |
| REVISION: |
| REVISION: |
| REVISION: |

STAIR CONFIGURATIONS

PLAN NORTH
FOR REFERENCE ONLY

PAGE NAME:

SHEET 1 OF

| | | |
|---------------|------------|---|
| DRAWN BY: | MO | DEALER: |
| DATE: | 2-22-13 | JOB NAME: |
| REVISED DATE: | | LOCATION: |
| SCALE: | 1/4"=1'-0" | <p>PROPRIETARY INFORMATION THIS DRAWING & THE DESIGN IT COVERS ARE THE EXCLUSIVE PROPERTY OF KELLY GROUP, INC. OF MO. THEY ARE PROVIDED ONLY ON THE USER'S EXPRESS AUTHORITY AND FOR THE LIMITED AND SPECIFIC PURPOSES STATED. ANY CHANGES OR OTHER USES, IN ANY MANNER, WITHOUT THE WRITTEN CONSENT OF KELLY GROUP, INC. OF MO. TO THE USER OR THEIR AGENTS, KELLY GROUP, INC. OF MO. MAKES NO REPRESENTATION REGARDING DRAWING SCALE & ACCURACY.</p> |
| ORDER NUMBER: | | |