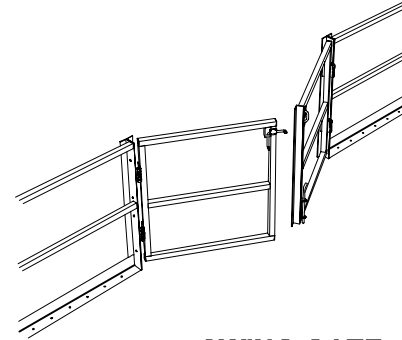
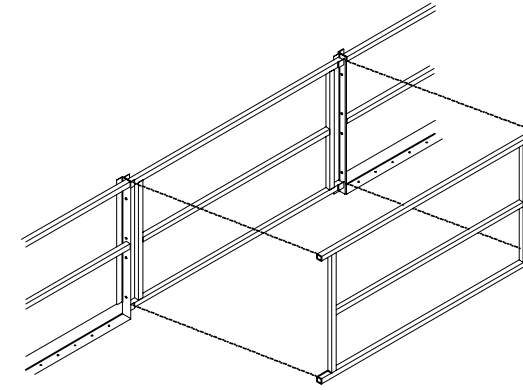


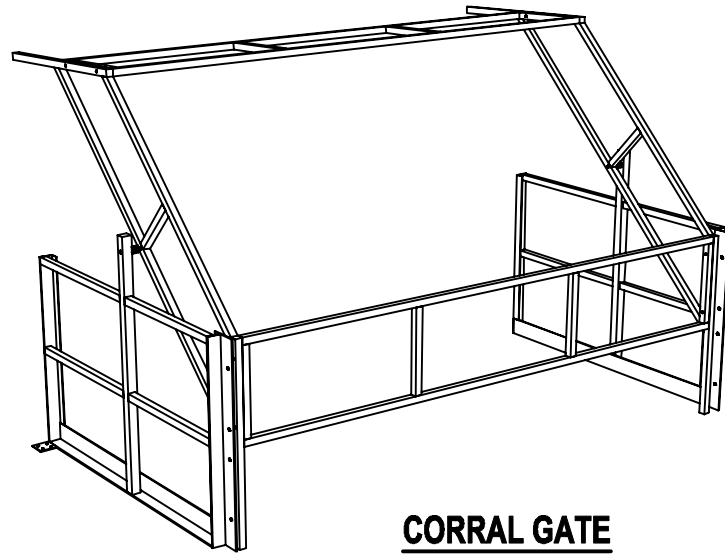
SLIDE GATE



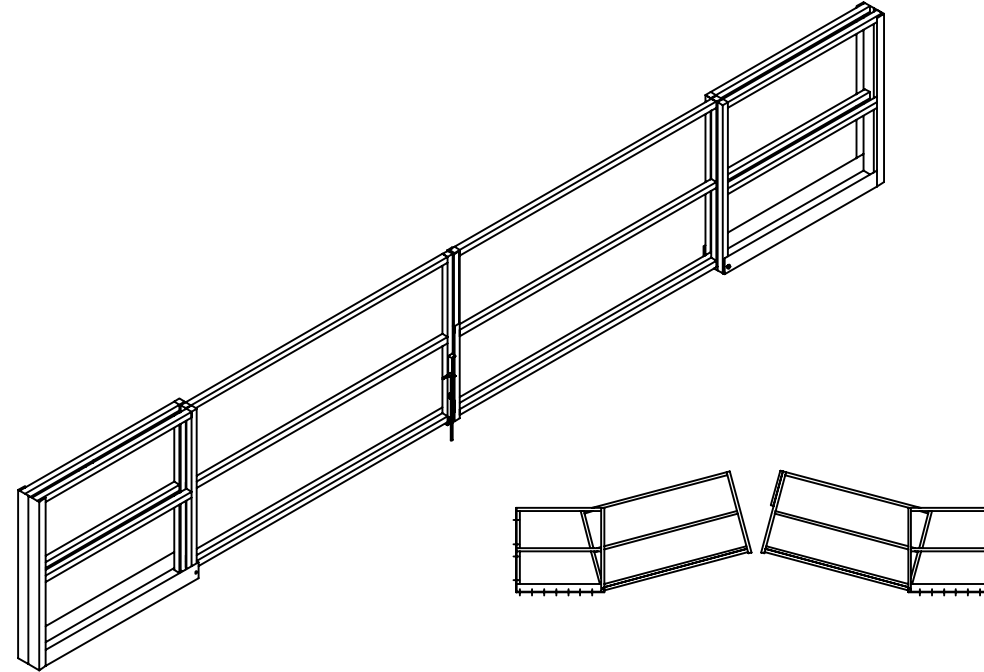
SWING GATE



LIFT-OUT GATE



CORRAL GATE



PIVOT GATE

REVISION:
REVISION:
REVISION:
REVISION:
REVISION:
REVISION:



PLAN NORTH
FOR REFERENCE ONLY

PAGE NAME:	GATE TYPES	SHEET 1 OF 1

DEALER:	MO
JOB NAME:	2-22-13
LOCATION:	
SCALE:	1/4"=1'-0"
ORDER NUMBER:	

PROPRIETARY INFORMATION
 THIS DRAWING & THE DESIGN IT COVERS ARE THE EXCLUSIVE PROPERTY OF KELLY GROUP, INC. OF MO. THEY ARE PROVIDED ONLY ON THE USER'S EXPRESS AUTHORITY AND ARE NOT TO BE REPRODUCED, COPIED, EITHER WHOLLY OR IN PART, OR TRANSMITTED IN ANY MANNER, WITHOUT THE WRITTEN PERMISSION OF KELLY GROUP, INC. OF MO. TO THE USER OR THEIR AGENTS. KELLY GROUP, INC. OF MO. MAKES NO REPRESENTATION REGARDING DRAWING SCALE & ACCURACY.