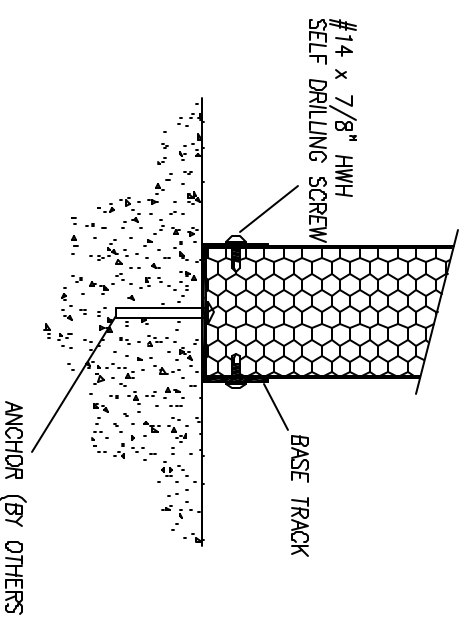
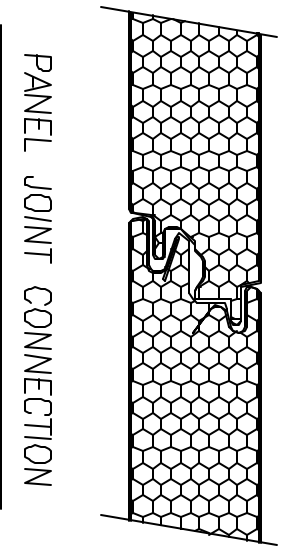


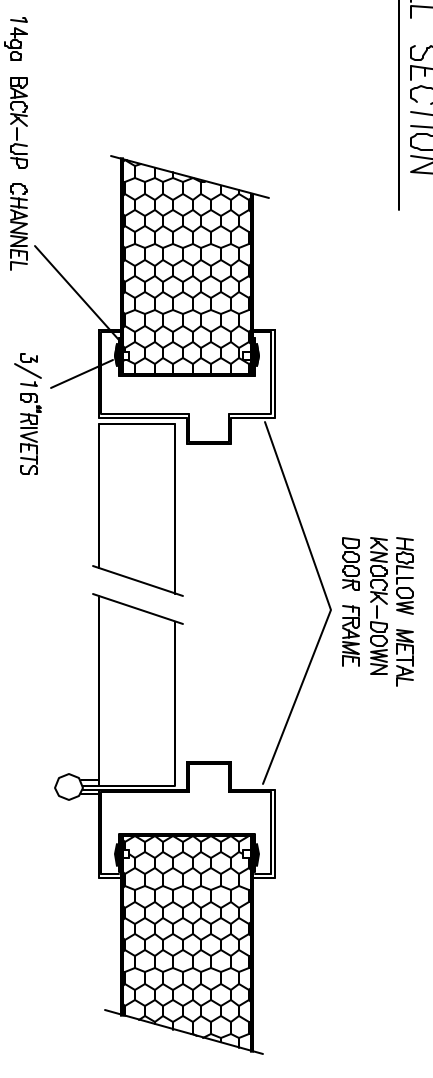
WALL CHANNEL CONNECTION



WALL SECTION



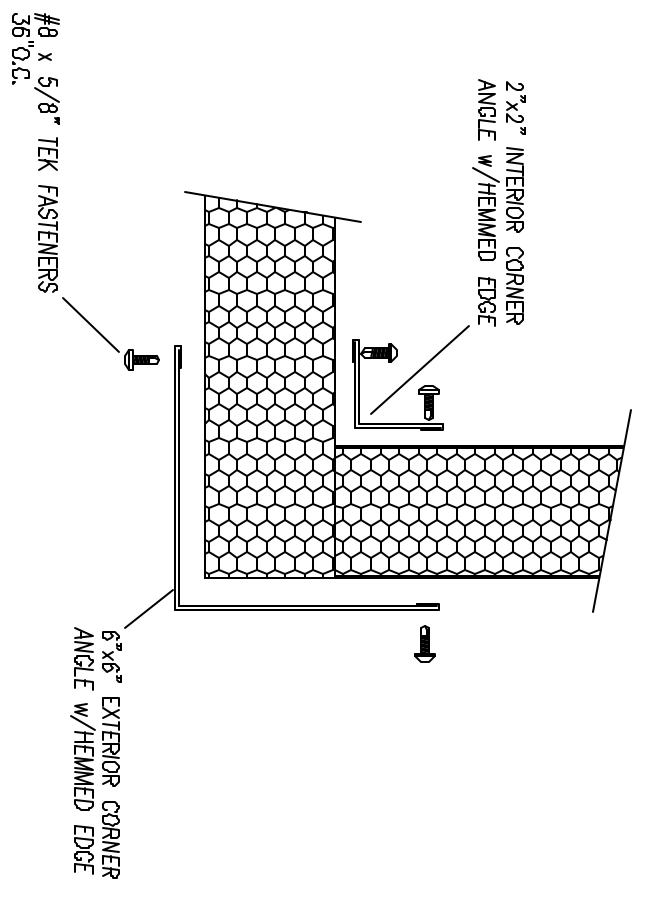
PANEL JOINT CONNECTION



DOOR SECTION

WALL PANEL FEATURES

INTERIOR & EXTERIOR PROFILE: ARCHITECTURAL FLAT WITH FLUSH SIDE JOINTS  
 PANEL CORE: FOAMED-IN-PLACE, NON-CFC & ZERO ODP POLYURETHANE, FACTORY MUTUAL CLASS 1 APPROVAL  
 THERMAL VALUES: K-FACTOR BTU in/ft hr. °F @ 75°F (24°C)  
 MEAN CORE TEMPERATURE = 0.140.  
 K-FACTOR, BTU in/ft hr. °F @ 40°F (4°C)  
 MEAN CORE TEMPERATURE = 0.126.  
 PANEL THICKNESS: 2"-6"  
 PANEL LENGTHS: 8' - 40'  
 INTERIOR & EXTERIOR FACINGS: 26ga, G-90 GALVANIZED STEEL WITH A BAKED ON POLYESTER FINISH  
 PANEL JOINT: OFFSET DOUBLE TONGUE AND GROOVE WITH EXTENDED METAL SHELF FOR POSITIVE FACE FASTENING



CORNER JOINT CONNECTION

TITLE	DETAILS & SECTIONS	
JOB NO.	—	DRAWN BY JFA
SCALE	NTS	DATE
		REVISED
		SHEET
		1 of 1