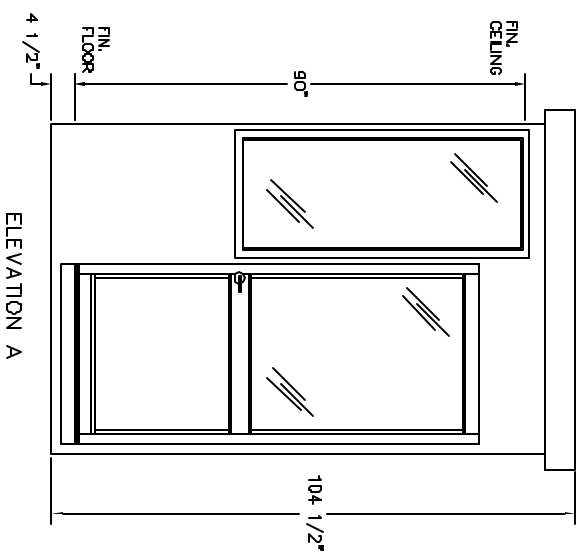


IMPORTANT NOTE - VERIFY BOOTH DESIGN IS COMPATIBLE WITH ON SITE CONDITIONS FOR PROPER ACCESSIBILITY.

PLAN VIEW

NOTE: CLEAR DOOR OPENING TO BE 33 1/2"

2"x2" ANCHOR TAB w/ 5/8" DIA. HOLE (TYP. 4)




DURASTEEL MODEL DA75SW BUILDING NOTES :

- ① 100 AMP SINGLE PHASE 12 CIRCUIT LOAD CENTER W/MAIN BKR.
- ② 115V DUPLEX, 230V OUTLET
- ③ 34 WATT SURFACE MTD. FLUORESCENT LIGHT W/SWITCH
- ④ 22" DEEP SHELF
- * 3" OVERHANG EXTERIOR MEMBRANE ROOF
- * 1- HEAVY DUTY ALUMINUM DOOR w/HALF GLASS AND LEVER LOCK
- * GLAZING- CLEAR TEMPERED GLASS
- * INSULATION- WALLS R-10, CEILING R-19
- * ALUMINUM TREAD PLATE FLOOR
- * BUILDING PAINTED- ADVISE COLOR
- * UL LABEL FOR COMPLIANCE WITH THE N.E.C.



STANDARD FEATURES DESIGNED INTO BOOTH TO MEET ADA GUIDELINES.
 * MANEUVER WITHIN BOOTH - 60" DIAMETER
 * DOOR CLEARANCES - 32" CLEAR OPENING, 1/2" HIGH THRESHOLD
 * SHELF - 32" A.F.F.
 * CASHIER WINDOW - 33" A.F.F.
 * CEILING HEIGHT - 80" min.
 (ACCESSIBLE ROUTE TO BOOTH - BOOTH CAN BE DESIGNED TO MEET ON SITE CONDITIONS, EXAMPLE: DOOR LOCATION AND THRESHOLD HEIGHT)


PORTA-KING BUILDING SYSTEMS

4133 SHORELINE DRIVE EARTH CITY, MISSOURI 63045
 1-800-456-5464 FAX 314-291-2857 www.portaking.com

TITLE: DURASTEEL MODEL DA75SW