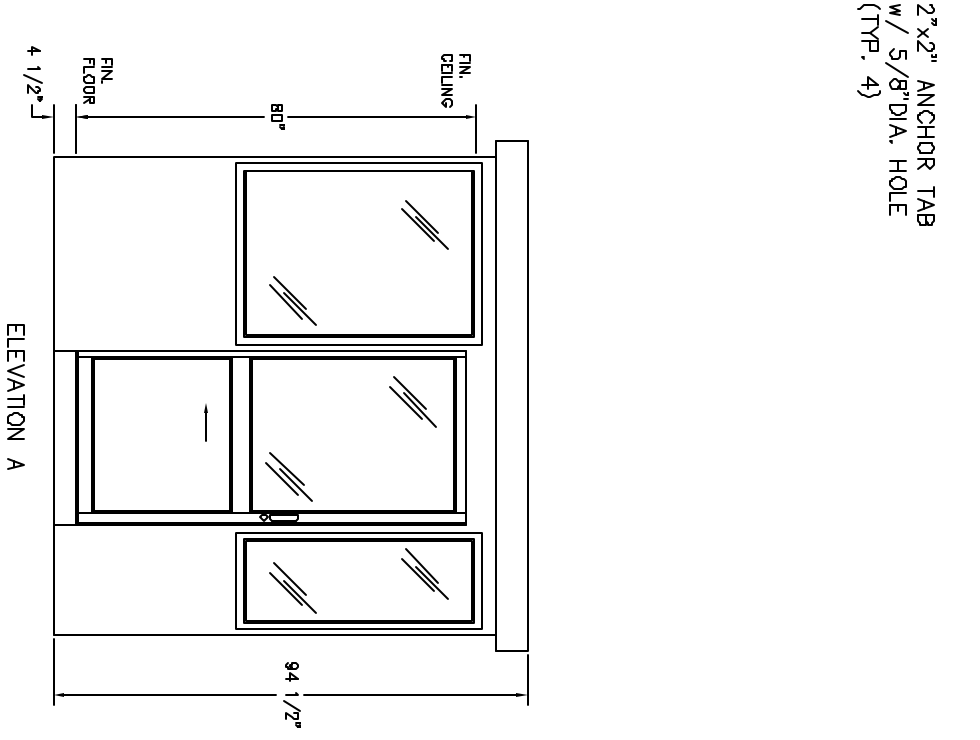


PLAN VIEW

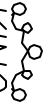


ELEVATION A

DURASTEEL MODEL 86SL BUILDING NOTES :

- ①— 100 AMP SINGLE PHASE 12 CIRCUIT LOAD CENTER W/MAIN BKR.
- ②— 115V DUPLEX, 230V OUTLET
- ③— 34 WATT SURFACE MTD. FLUORESCENT LIGHT W/SWITCH
- ④— 22" DEEP SHELF
- \* 3" OVERHANG EXTERIOR MEMBRANE ROOF
- \* 1- HEAVY DUTY ALUMINUM DOOR w/HALF GLASS AND ADA HANDLES
- \* GLAZING- CLEAR TEMPERED GLASS
- \* INSULATION- WALLS R-10, CEILING R-19
- \* ALUMINUM TREAD PLATE FLOOR
- \* BUILDING PAINTED- ADVISE COLOR
- \* UL LABEL FOR COMPLIANCE WITH THE N.E.C.

NOTES:  
 SLIDING DOORS AVAILABLE BOTH SIDES- SUFFIX DSL  
 CASHIER WINDOW AVAILABLE IN DOOR- SUFFIX CSL  
 SWING DOOR AVAILABLE IN REAR OF BOOTH- SUFFIX SW

 <b>PORTA-KING</b> BUILDING SYSTEMS	
4133 SHORELINE DRIVE 1-800-456-5464 FAX 314-291-2857 <a href="http://www.portaking.com">www.portaking.com</a>	EARTH CITY, MISSOURI 63045 <a href="http://www.portaking.com">www.portaking.com</a>
TITLE DURASTEEL MODEL 86SL	