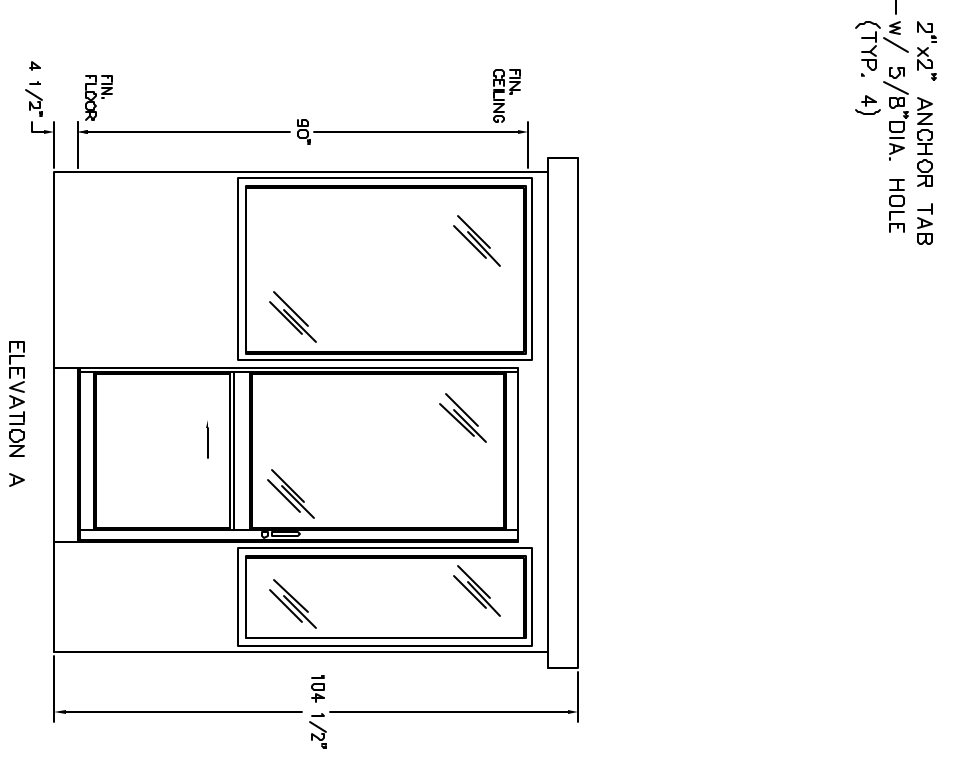



DURASTEEL MODEL 86SL BUILDING NOTES :

- ① 100 AMP SINGLE PHASE 12 CIRCUIT LOAD CENTER W/MAIN BKR.
- ② 115V DUPLEX, 230V OUTLET
- ③ 34 WATT SURFACE MTD. FLUORESCENT LIGHT W/SWITCH
- ④ 22" DEEP SHELF
- * 3" OVERHANG EXTERIOR MEMBRANE ROOF
- * 1- HEAVY DUTY ALUMINUM DOOR w/HALF GLASS AND ADA HANDLES
- * GLAZING- CLEAR TEMPERED GLASS
- * INSULATION- WALLS R-10, CEILING R-19
- * ALUMINUM TREAD PLATE FLOOR
- * BUILDING PAINTED- ADVISE COLOR
- * UL LABEL FOR COMPLIANCE WITH THE N.E.C.



NOTES:
 SLIDING DOORS AVAILABLE BOTH SIDES- SUFFIX DSL
 CASHIER WINDOW AVAILABLE IN DOOR- SUFFIX CSL
 SWING DOOR AVAILABLE IN REAR OF BOOTH- SUFFIX SW


PORTA-KING BUILDING SYSTEMS

4133 SHORELINE DRIVE EARTH CITY, MISSOURI 63045
 1-800-456-5464 FAX 314-291-2857 www.portaking.com

TITLE DURASTEEL MODEL 86SL