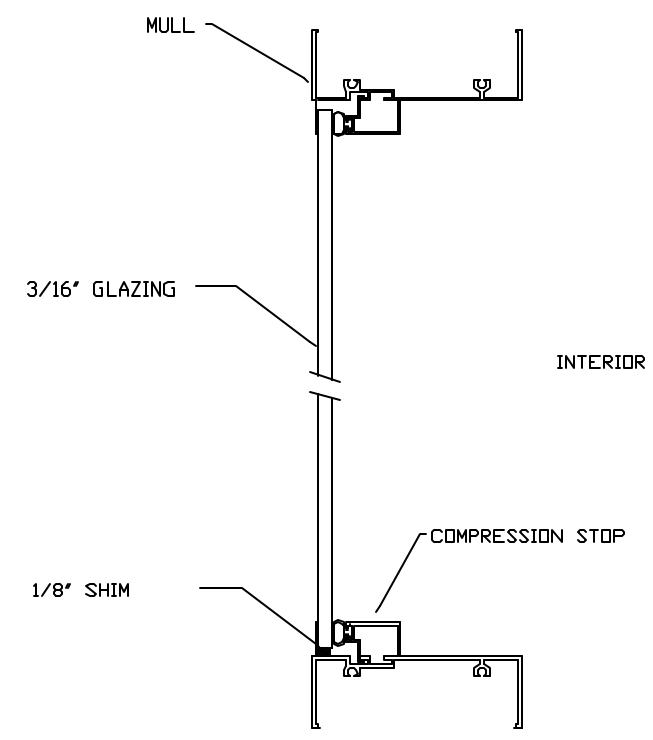
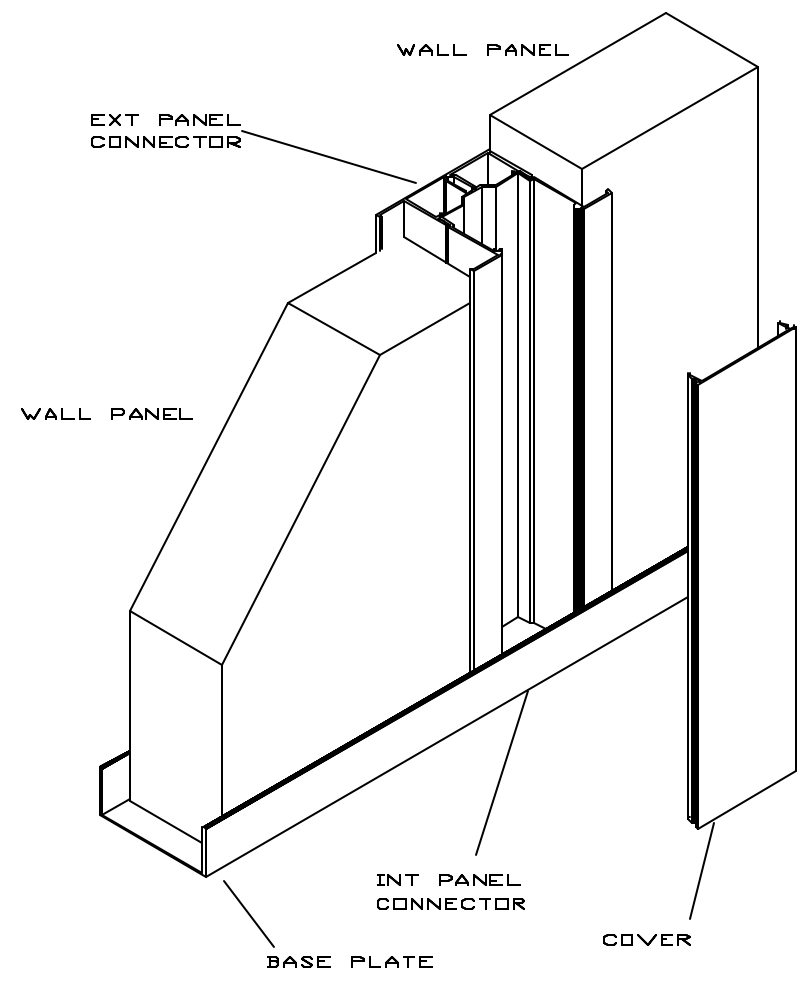


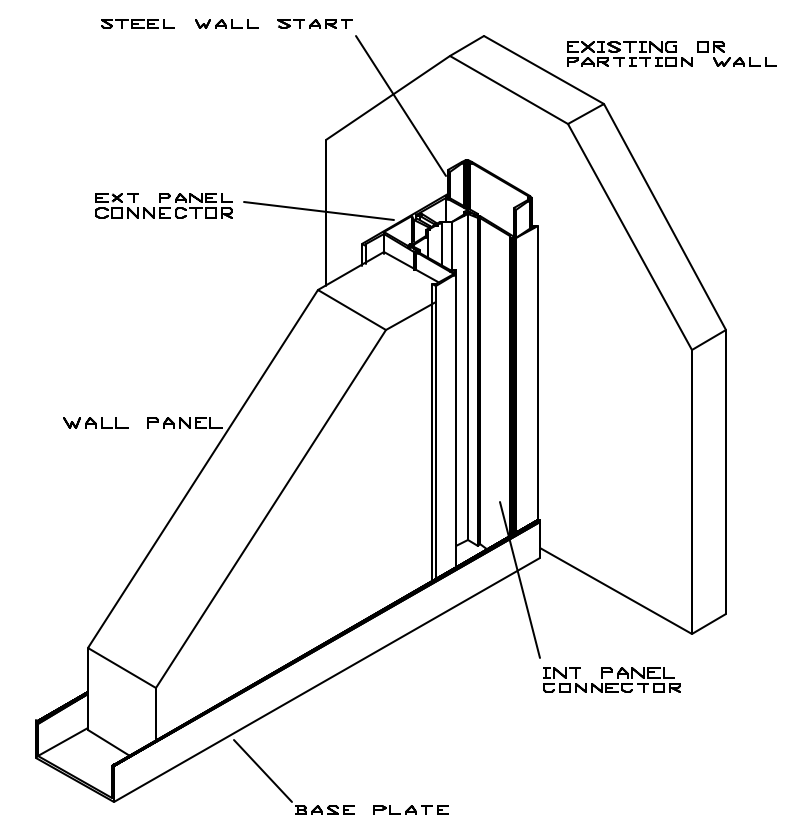
TYPICAL WALL SECTION



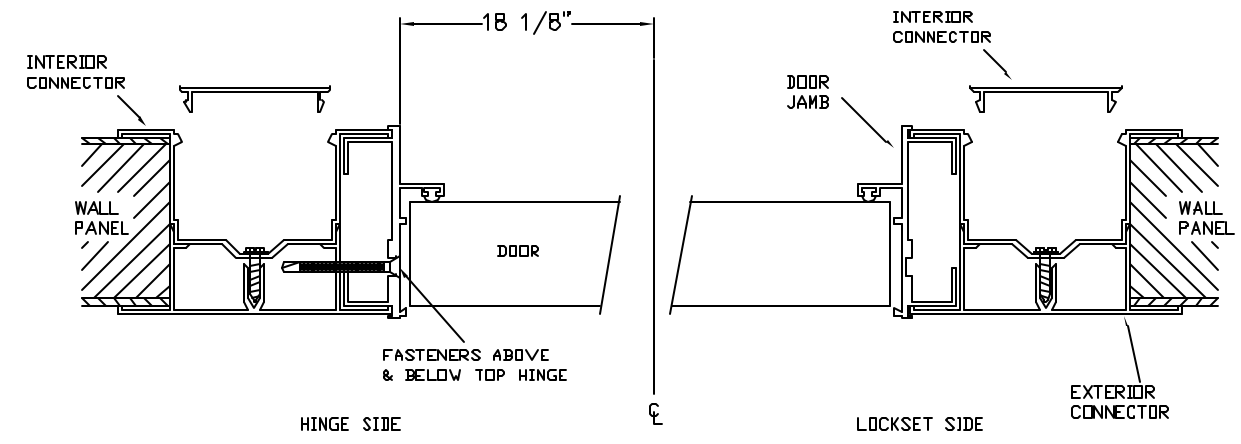
TYPICAL WINDOW



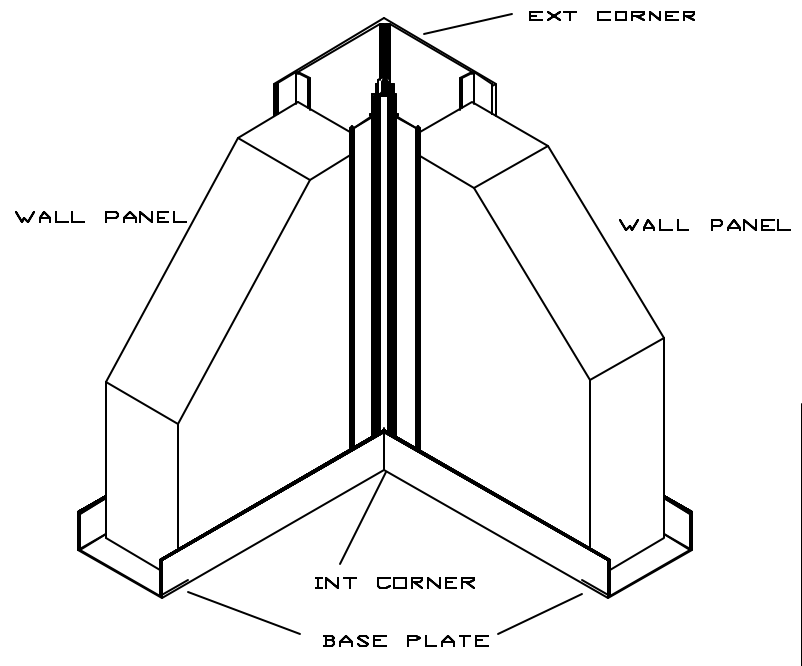
WIREWAY/PANEL CONNECTOR



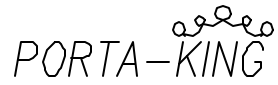
STEEL WALL START AND PANEL CONN.



DOOR FRAME DETAIL



CORNER DETAIL

 <b>PORTA-KING BUILDING SYSTEMS</b> 4133 SHORELINE DRIVE, EARTH CITY, MISSOURI 63045 1-800-BUILDING 314-291-4200 FAX 314-291-2857		
TITLE	3" VERSAKING BUILDING	
DETAILS	DRAWN BY CMP	SHEET 1 OF 1
JOB NO.	SCALE NTS	DATE 04-17-03