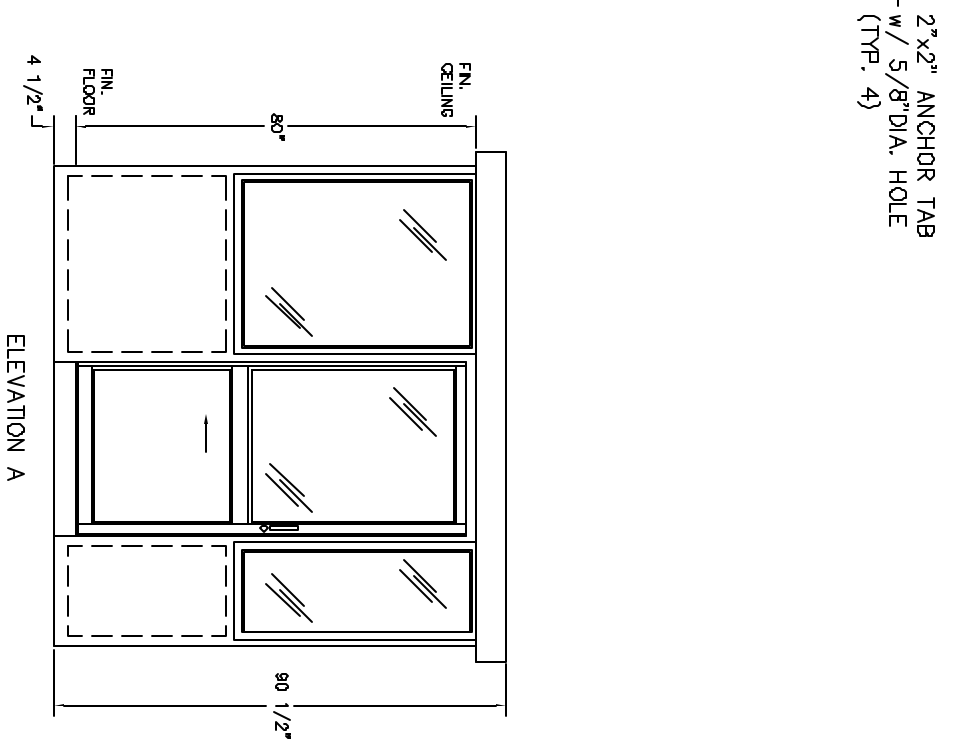


PLAN VIEW

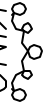


ELEVATION A

DURASTEEL MODEL PC-86SL BUILDING NOTES :

- ①— 100 AMP SINGLE PHASE 12 CIRCUIT LOAD CENTER W/MAIN BKR.
- ②— 115V DUPLEX, 230V OUTLET
- ③— 34 WATT SURFACE MTD. FLUORESCENT LIGHT W/SWITCH
- ④— 22" DEEP SHELF
- * 3" OVERHANG EXTERIOR MEMBRANE ROOF
- * 1- HEAVY DUTY ALUMINUM DOOR W/HALF GLASS AND ADA HANDLES
- * GLAZING- CLEAR TEMPERED GLASS
- * INSULATION- WALLS R-9, CEILING R-17
- * ALUMINUM TREAD PLATE FLOOR
- * BUILDING PAINTED- ADVISE COLOR
- * UL LABEL FOR COMPLIANCE WITH THE N.E.C.

NOTES:
 SLIDING DOORS AVAILABLE BOTH SIDES- SUFFIX DSL
 CASHIER WINDOW AVAILABLE IN DOOR- SUFFIX CSL
 SWING DOOR AVAILABLE IN REAR OF BOOTH- SUFFIX SW


PORTA-KING BUILDING SYSTEMS
 4133 SHORELINE DRIVE EARTH CITY, MISSOURI 63045
 1-800-456-5464 FAX 314-291-2857 www.portaking.com

TITLE DURASTEEL MODEL PC-86SL